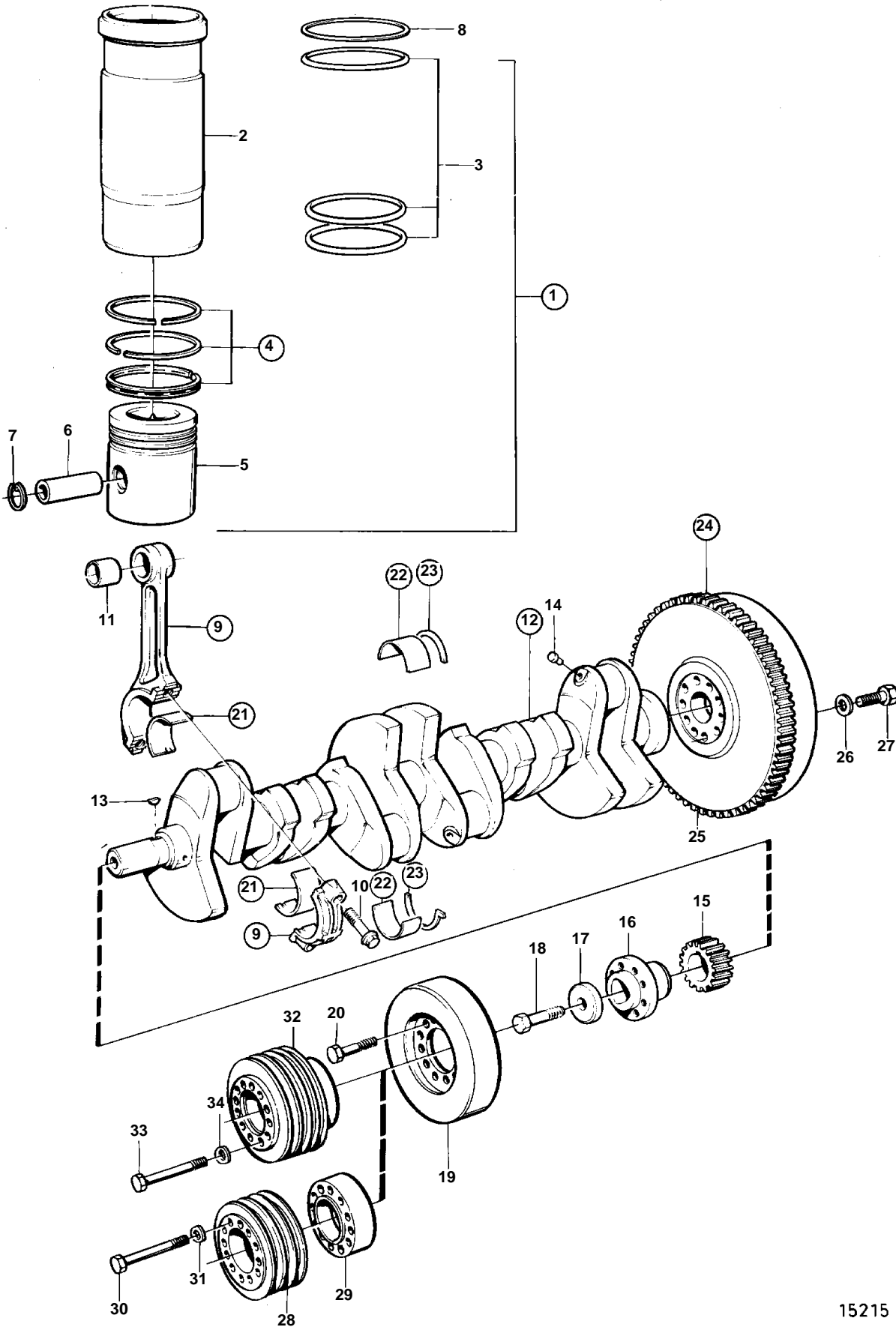


TAMD103A-A



15215

TAMD103A-A

REF	PART NO.	QTY	DESCRIPTION	SEE SEC.	NOTES
1	877347	6	Cylinder liner kit		
2		6	· Cylinder liner		
3	271157	6	· Sealing ring kit		
4	276851	6	· Piston ring kit		
5		6	· Piston		
6	8194586	6	· Piston pin		
7	914529	12	· Lock ring		
8	422619	X	Shim		TH=0,20mm. Shims to adjust the cylinder liner level.
	422620	X	Shim		TH = 0,30mm. Shims to adjust the cylinder liner level.
	422621	X	Shim		TH = 0,50mm. Shims to adjust the cylinder liner level.
9	3830826	6	Connecting rod		CLASSIFIED
10	1545479	12	· Screw		
11	8194039	6	· Bushing	SO	
12	3826010	1	Crankshaft		CLASSIFIED
13	422253	1	· Woodruff key		
14	978130	6	· Plug		
15	423080	1	· Crankshaft gear		
			· Bulletin 45-01	45-01-EN	Timing Gears, 71, 100, 121
16	470595	1	Hub		
17	422124	1	Washer		
18	941494	1	Screw		
19	849622	1	Vibration damper		
20	956601	12	Screw		
21	270124	6	Big end bearing kit		STD D
	270125	6	Big end bearing kit		U.S=0,25mm
	270126	6	Big end bearing kit		U.S=0,50mm
	270127	6	Big end bearing kit		U.S=0,75mm
	270128	6	Big end bearing kit		U.S=1,00mm
	270129	6	Big end bearing kit		U.S=1,25mm
22	270438	7	Main bearing kit		STD D
	270439	7	Main bearing kit		U.S=0,25mm
	270440	7	Main bearing kit		U.S=0,50mm
	270441	7	Main bearing kit		U.S=0,75mm
	270442	7	Main bearing kit		U.S=1,00mm
	270443	7	Main bearing kit		U.S=1,25mm
23	276758	1	Thrust washer kit		STD D
	276759	1	Thrust washer kit		O.S=0,10mm
	276760	1	Thrust washer kit		O.S=0,20mm
	276761	1	Thrust washer kit		O.S=0,30mm
24	864997	1	Flywheel		
25	420794	1	· Gear ring		
26	467773	14	Washer		
27	478717	14	Screw		
28	823082	1	Pulley		3-GROOVES, 158mm
29	823083	1	Spacer ring		
30	959804	12	Screw		
31	941909	12	Spring washer		
32	837476	1	Pulley		4-GROOVES, 182mm
33	959188	12	Screw		
34	941909	12	Spring washer		