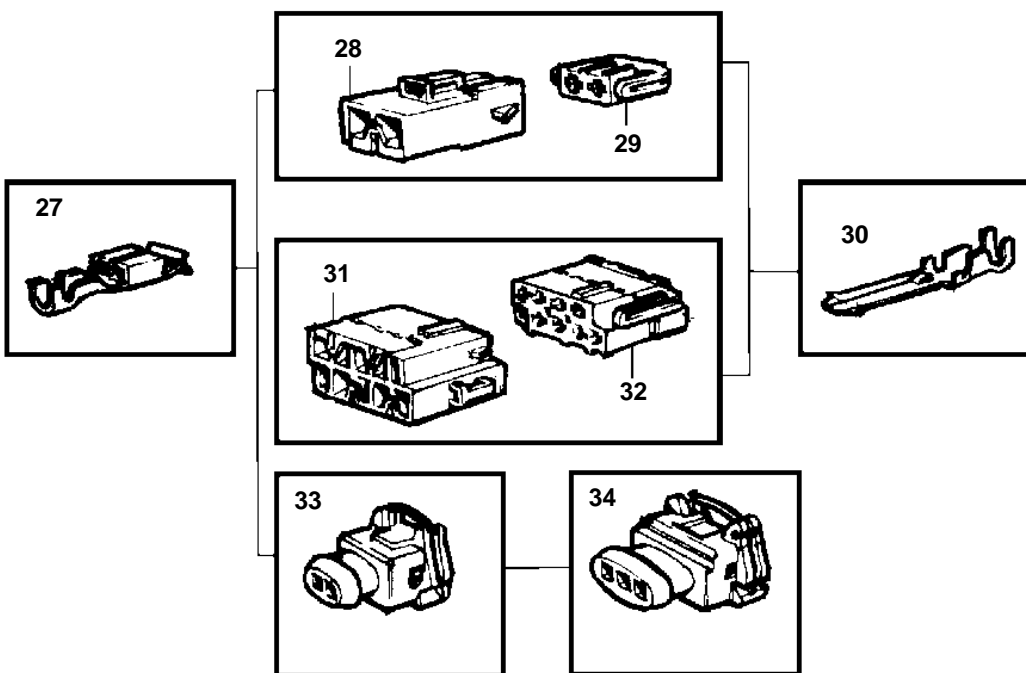
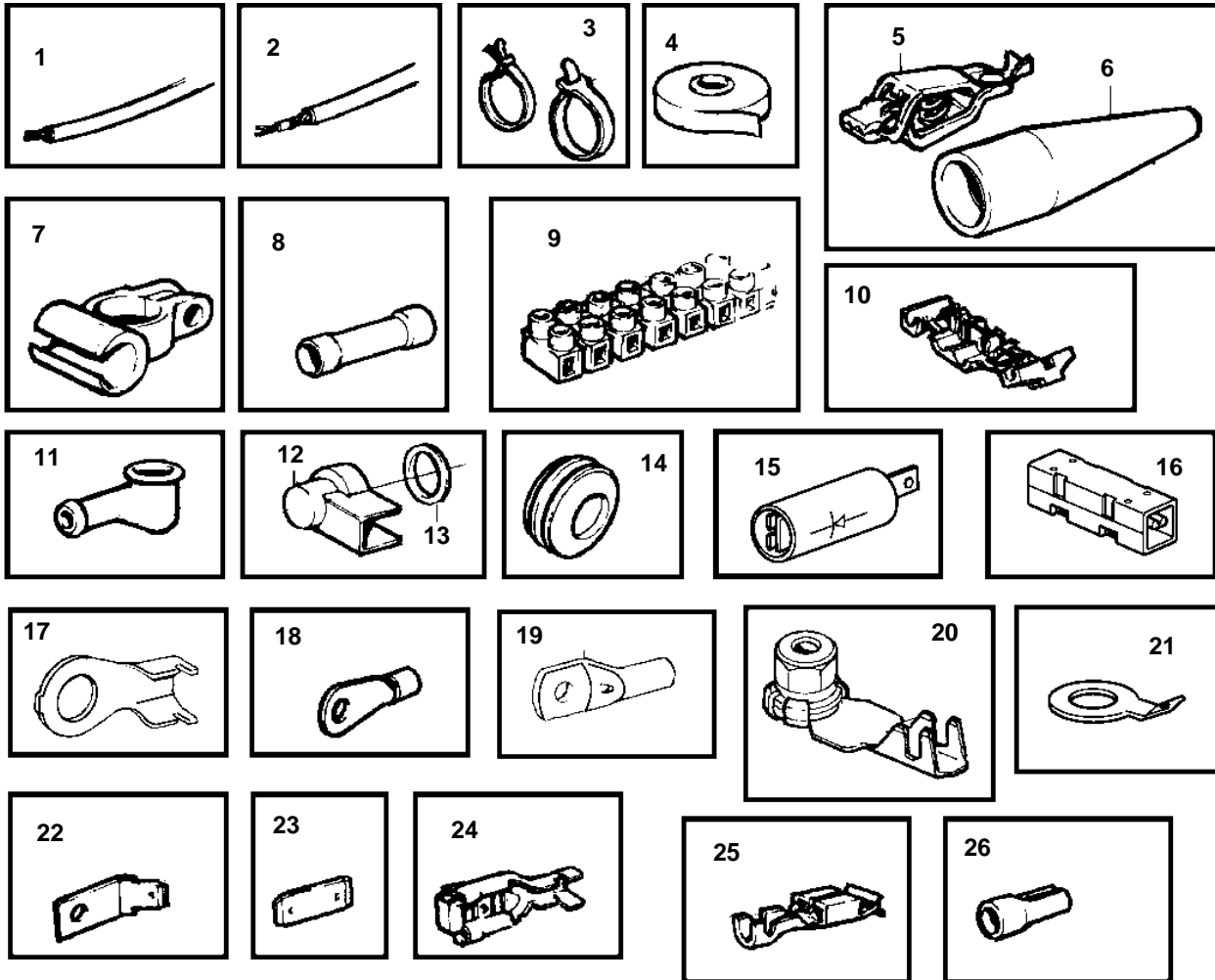


TAMD103A-A



TAMD103A-A

| REF | PART NO. | DESCRIPTION | NOTES |
|-----|----------|--|--|
| 1 | 954443 | Cable, type RK | 1,5sq.mm, BLACK |
| | 970626 | Cable, type RK | 1,5sq.mm, RED |
| | 970661 | Cable, type R2 | SO 1,5sq.mm, RED |
| | 970663 | Cable, type R2 | SO 2,5sq.mm, BLACK |
| | 970698 | Cable, type R2 | SO 2,5sq.mm, RED |
| | 954461 | Cable, type RK | 4,0sq.mm, BLACK |
| | 954467 | Cable, type RK | 6,0sq.mm, BLACK |
| | 970711 | Cable, type R2 | 6,0sq.mm, RED |
| | 954485 | Cable, type RK | 16,0sq.mm, RED |
| | 954500 | Cable, type RK | 25,0sq.mm, RED |
| | 954502 | Cable, type RK | 35,0sq.mm, RED |
| 2 | 862989 | Cable | 2x1,5sq.mm. Non reinforced ship cable approved by classification societies. |
| | 863657 | Cable | 4,0sq.mm, RED. Reinforced ship cable approved by classification societies. |
| | 842091 | Cable | 2x2,5sq.mm. Non reinforced ship cable approved by classification societies. |
| | 842092 | Cable | 3x1,5sq.mm. Non reinforced ship cable approved by classification societies. |
| | 862990 | Cable | 6,0sq.mm, BLACK. Non reinforced ship cable approved by classification societies. |
| | | Cable | 16,0sq.mm, RED. Non reinforced ship cable approved by classification societies. |
| | 846273 | Cable | 25,0sq.mm, RED. Non reinforced ship cable approved by classification societies. |
| | 844578 | Cable | 35,0sq.mm, RED. Non reinforced ship cable approved by classification societies. |
| | 846639 | Cable | 2x1,5sq.mm. Non reinforced ship cable approved by classification societies. |
| | 862991 | Cable | 2x1,5sq.mm. Non reinforced ship cable approved by classification societies. |
| | 846346 | Cable | 2x2,5sq.mm. Replaced by cable harness 872679 and adapter 872939. |
| 3 | 948211 | Strip clamp | 3x1,5sq.mm |
| | 949666 | Strip clamp, with mount. hole | 3x4,0sq.mm |
| | 948616 | Strip clamp | 3x6,0sq.mm |
| | 862832 | Strip clamp, steel | 4x1,5sq.mm |
| 4 | 858283 | Electrical tape | 4x2,5sq.mm |
| 5 | 844280 | Cable terminal, battery cable +pole | 16x1,5sq.mm |
| 6 | | Isolator | BLACK |
| | | Isolator | RED |
| 7 | 954505 | Cable terminal, battery cable -pole | D=77mm L=280mm |
| | 954506 | Cable terminal, battery cable +pole | D=42mm L=170mm |
| 8 | 956956 | Splice | D=102mm L=362mm |
| | 956958 | Splice | 1,5-2,5sq.mm, BLUE |
| | 956960 | Splice | L=61mm |
| 9 | 926219 | Coupling piece | BLACK |
| 10 | 944306 | Clamp | BLUE |
| 11 | 829200 | Protective cap | 0,5-1,0sq.mm, RED |
| 12 | 1234326 | Protective cap | 1,5-2,5sq.mm, BLUE |
| 13 | 960140 | Washer | 3-6sq.mm, YELLOW |
| 14 | 941269 | Cable grommet | MAX 20sq.mm, 12-POLE |
| | 821053 | Rubber bushing | I.D=35mm |
| | 943920 | Protecting plug | I.D=40mm |
| 15 | 1624394 | Diode | |
| 16 | 20382270 | Diode | |
| 17 | 970788 | Cable terminal | M5x1,1-2,5sq.mm |
| | 970789 | Cable terminal | M6x1,1-2,5sq.mm |
| | 970791 | Cable terminal | M10x1,1-2,5sq.mm |
| 18 | 881492 | Cable terminal | M4x1,1-2,5sq.mm |
| | 881493 | Cable terminal | M5x1,1-2,5sq.mm |
| | 881508 | Cable terminal | M6x1,1-2,5sq.mm |

TAMD103A-A

| REF | PART NO. | DESCRIPTION | NOTES |
|-----|----------|----------------|--|
| 18 | 881494 | Cable terminal | M8x1,1-2,5sq.mm |
| | 881504 | Cable terminal | M10x1,1-2,5sq.mm |
| | 881506 | Cable terminal | M4x2,6-6,0sq.mm |
| | 881495 | Cable terminal | M5x2,6-6,0sq.mm |
| | 881496 | Cable terminal | M6x2,6-6,0sq.mm |
| | 881497 | Cable terminal | M8x2,6-6,0sq.mm |
| | 881498 | Cable terminal | M10x2,6-6,0sq.mm |
| | 940331 | Cable terminal | M5x6,1-10,0sq.mm |
| | 940332 | Cable terminal | M6x6,1-10,0sq.mm |
| | 940333 | Cable terminal | M8x6,1-10,0sq.mm |
| | | Cable terminal | M10x6,1-10,0sq.mm |
| | 881512 | Cable terminal | M5x10,1-16,0sq.mm |
| | 940335 | Cable terminal | M6x10,1-16,0sq.mm |
| | 940336 | Cable terminal | M8x10,1-16,0sq.mm |
| | 940337 | Cable terminal | M10x10,1-16,0sq.mm |
| 19 | 949587 | Cable terminal | M10x10mm2 |
| 20 | 8140576 | Nut | M4 |
| 21 | 865758 | Cable terminal | I.D=12,5 D=23mm |
| 22 | 944485 | Spade terminal | 6,3xM5x180 |
| 23 | 839328 | Spade terminal | 16,3x6,3x0,8 |
| 24 | 881491 | Cable terminal | 6,3x0,75-2,1sq.mm |
| 25 | 853015 | Cable terminal | FOR 853866, YASAKI. For trim instrument. |
| 26 | 942429 | Cable terminal | FOR 853866, YASAKI |
| 27 | 970777 | Cable terminal | |
| 28 | 968377 | Housing | 2,8x2 NATURAL |
| | 968379 | Housing | 2,8x2 GRAY |
| 29 | 968376 | Housing | 4,8/2,8x2 NATURAL |
| | 968378 | Housing | 4,8/2,8x2 GRAY |
| 30 | 974313 | Cable terminal | 2,8x0,8x1,1-2,5sq.mm |
| 31 | 968401 | Housing | 2,8x8 NATURAL |
| 32 | 968400 | Housing | 4,8/2,8x8 NATURAL |
| 33 | 976256 | Switch | 2-POLE |
| 34 | 967713 | Housing | 3-POLE |