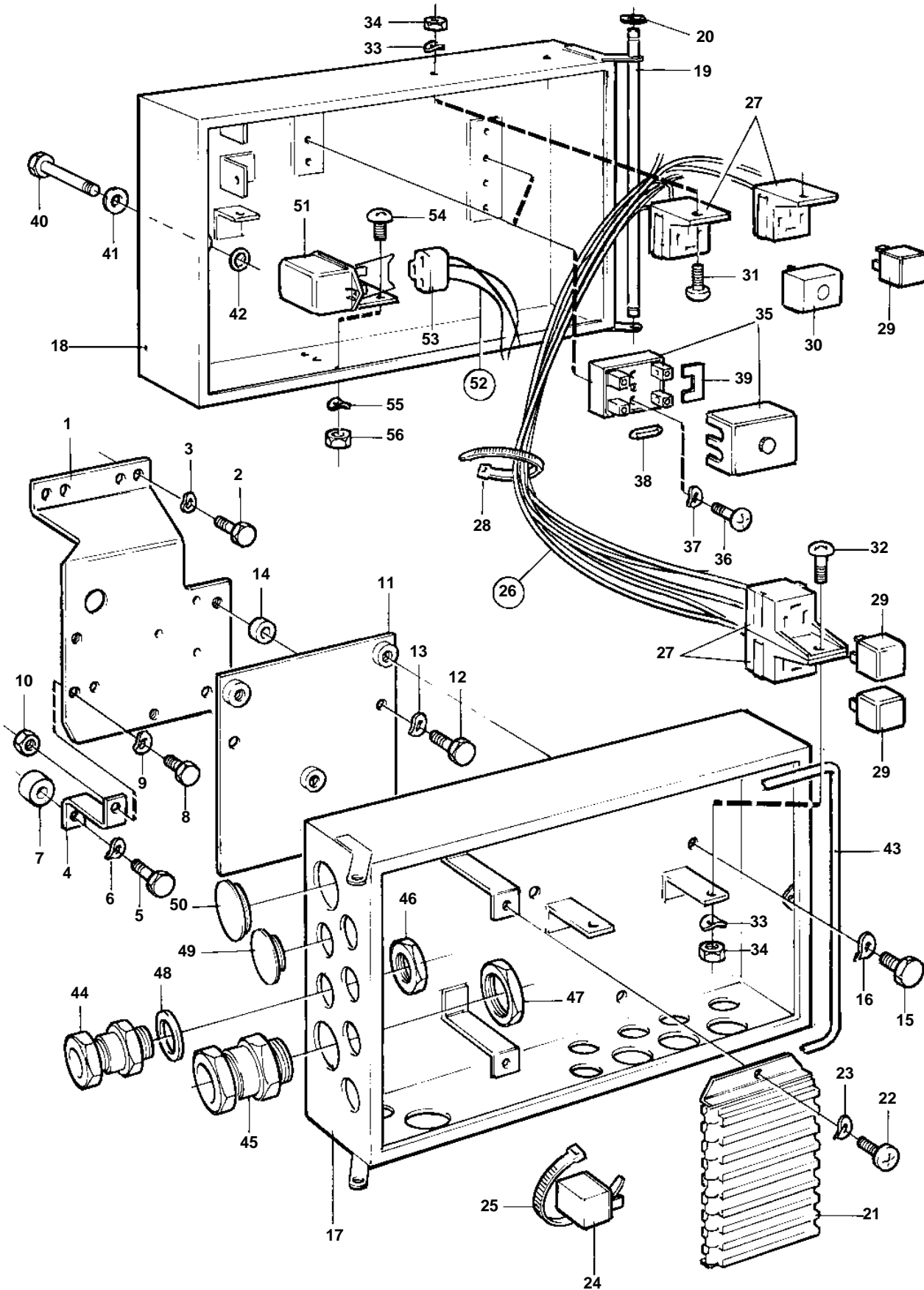


TAMD103A-A



11808

TAMD103A-A

REF	PART NO.	QTY	DESCRIPTION		NOTES
1	846819	1	Bracket		
2	940133	2	Screw		
3	942336	2	Spring washer		
4	846912	1	Bracket		
5	955562	1	Screw		
6	940280	1	Spring washer		
7	823196	1	Spacer sleeve		
8	955524	1	Screw		
9	941907	1	Spring washer		
10	955826	1	Nut		
11		1	Bracket		
12	955297	3	Screw		
13	941907	3	Spring washer		
14	807183	3	Spacer sleeve		
15	955524	3	Screw		
16	941907	3	Spring washer		
17	843124	1	Electrical distribut	SO	
18	843126	1	Cover		
19	837838	1	Shaft		
20	951667	2	Lock ring		
21	843095	1	Terminal block		
22	956074	2	Screw		
23	941905	2	Spring washer		
24	837722	1	Resistor		
25	948211	X	Strip clamp		
26		1	Cable trunk		
27	946556	7	· Housing		
28	948211	X	Strip clamp		
29	1504951	6	Relay		
30	842987	1	Voltage sensor		
31	956094	2	Screw		
32	956076	2	Screw		
33	941905	4	Spring washer		
34	955780	4	Nut		
35	88578	4	Fuse box		
36	956060	8	Screw		
37	941904	8	Spring washer		
38	942545	4	Fuse		
	11433	2	Fuse		
	943905	2	Fuse		
39	842390	2	Bridge connector		
40	955261	1	Screw		
41	960138	1	Washer		
42	955978	1	Rubber ring		
43		X	Sealing strip		L=1000mm
44	822327	X	Cable union		
	881192	X	Cable union		
45	881193	X	Cable union		
46	880243	X	Nut		
47	880755	X	Nut		
48	957185	X	Gasket		
49	94081	X	Rubber plug	OP	D=22mm
50	662620	X	Rubber button		D=28mm
51		1	Charge regulator		
52	845976	1	Cable trunk		
53		1	· Housing		
54	956076	2	Screw		
55	941905	2	Spring washer		
56	955780	2	Nut		