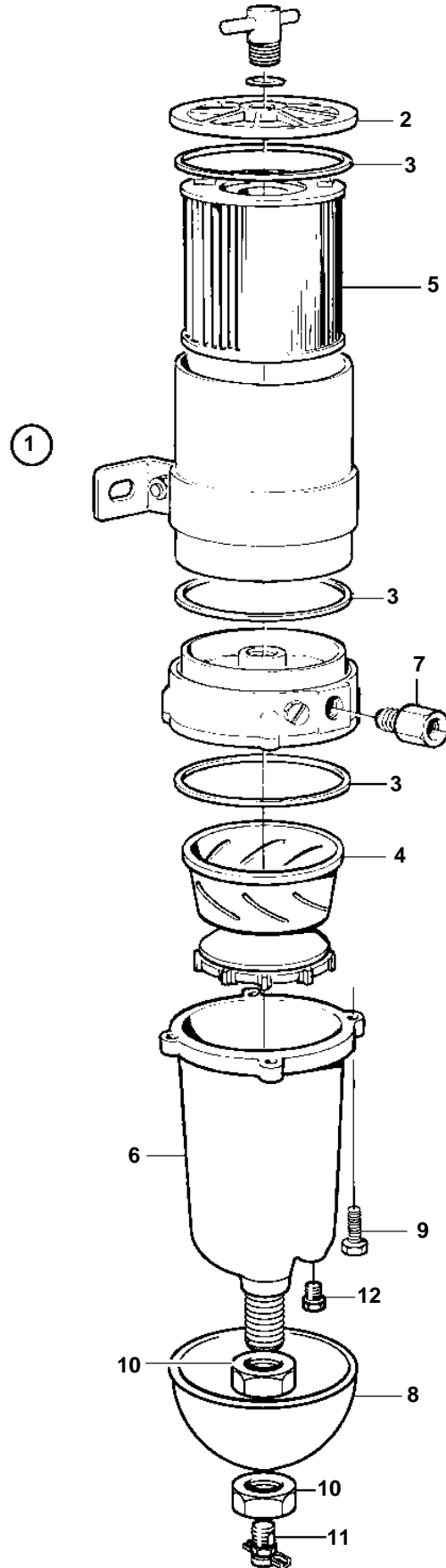


TAMD103A-A, TAMD103A-A AUX



17172

TAMD103A-A, TAMD103A-A AUX

REF	PART NO.	QTY	DESCRIPTION	SEE SEC.	NOTES
1	3825021	1	Fuel filter		RINA approved., LATE TYPE, REPL BY 877768
			· Bulletin 50-10	50-10-EN	Changes in Fuel Filter Program due to Legislation
2	838505	1	· O-ring		
3	846719	3	· Gasket		
4	3825028	1	· Turbine		
5	3838852	1	· Fuel filter insert		(3825027) 10 micron
6	3825030	1	· Bowl		Transparent Bowl.
7	846620	2	· Nipple		
8		1	· Heat shield		
9	940094	4	· Hexagon screw		
10	861459	2	· Nut		
11		1	· Faucet		
12		1	· Plug		