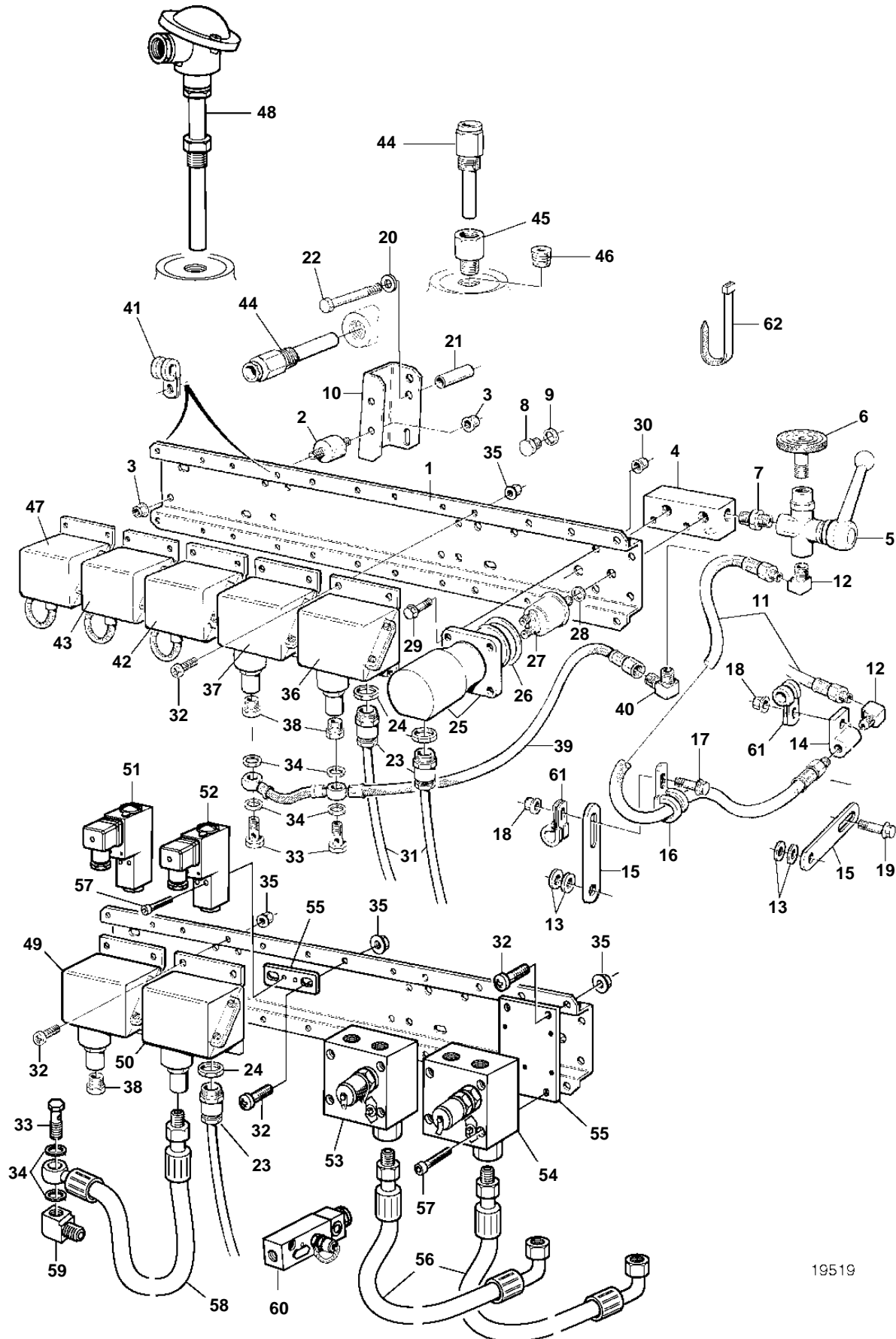


TAMD103A-A AUX



19519

TAMD103A-A AUX

REF	PART NO.	QTY	DESCRIPTION	NOTES
1		1	Bracket	
2	863415	4	Rubber cushion	
3	948645	8	Flange lock nut	
4	866704	1	Bracket	
5	3826337	1	Valve	
6	3826310	1	Flange	
7	191095	1	Nipple	
8	479979	1	Plug	
9	18665	1	Gasket	
10	3826000	2	Bracket	
11	3826006	2	Hose	
12	957106	2	Elbow nipple	
13	960144	4	Washer	
14	813006	1	Fitting	
15	965539	2	Bracket	
16	952627	1	Clamp	
17	946544	1	Flange screw	
18	949278	2	Flange lock nut	
19	946934	1	Flange screw	
20	955899	4	Washer	
21	845884	4	Spacer sleeve	
22	970964	4	Hexagon screw	
23	881191	6	Cable union	
24	880244	1	Nut	
25	849670	1	Protecting casing	
26	843584	1	Gasket	
27		1	Pressure sensor, oil-engine	SEE GROUP 30
28		1	Gasket	SEE GROUP 30
29	945444	4	Flange screw	
30	963106	4	Lock nut	
31	874854	X	Power cable	Non reinforced ship cable approved by classification societies., 2x1, 5sq.mm
32	956093	20	Cross recessed screw	
33	48634	2	Hollow screw	
34	907132	4	Gasket	
35	949278	20	Flange lock nut	
36	873713	1	Pressure monitor, engine oil alarm	2,0 bar
37	873713	1	Pressure monitor, engine oil auto stop	1,5 bar
38	3826034	2	Nipple	
39	3826001	1	Hose	
40	957106	1	Elbow nipple	
41	952627	2	Clamp	
42	873714	1	Thermo monitor, coolant alarm	92°C
43	873714	1	Thermo monitor, coolant auto stop	98°C
44	873715	3	Sleeve	
45	981426	1	Reduction nipple	
46		1	Plug	
47	873714	1	Thermo monitor, engine oil alarm	125°C
48		1	Ect sensor, coolant water	SEE GROUP 30
49	874178	1	Thermometer, exhaust	
			Ect sensor, exhaust	SEE GROUP 30
50	3829872	1	Pressure sensor, CU 2500	
51	3831436	1	Pressure monitor, seawater pipe	0.5-3bar
52	3831437	1	Pressure monitor	0-40bar
53	874801	1	Block	
54	3831444	1	Block	
55		1	Attaching plate	
56		1	Hose	L=1050mm
57	947671	4	Hex. socket screw	L=40mm
58	3829873	1	Hose	L=238mm
59	957107	1	Elbow nipple	
60	874800	1	Block	Block valve for pressure test.

