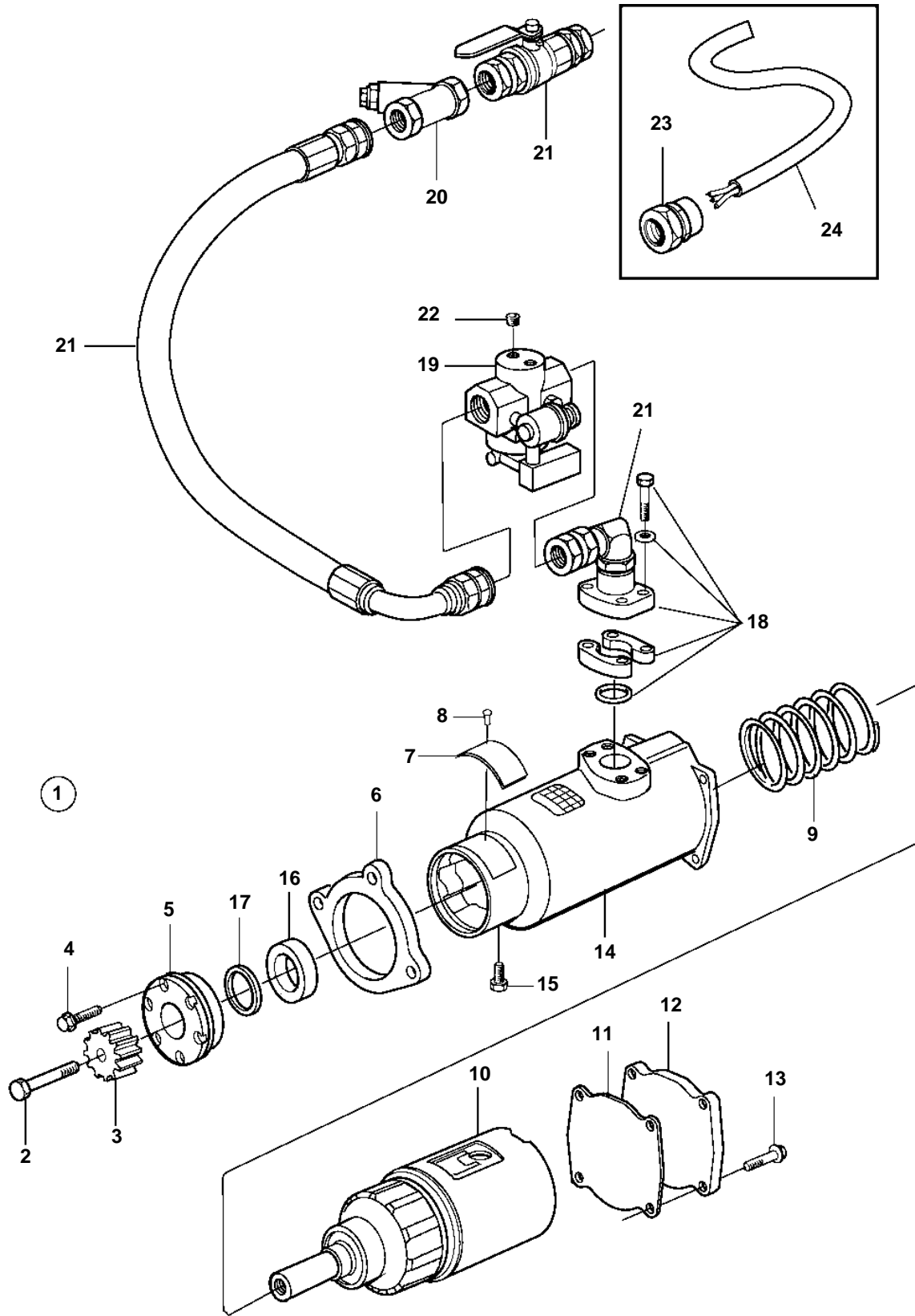


TAMD103A-A AUX



TAMD103A-A AUX

REF	PART NO.	QTY	DESCRIPTION	NOTES
1	3829986	1	Starter motor	
2		1	• Screw	
3	3830009	1	• Starter pinion	
4		6	• Flange screw	
5		1	• Protection	
6		1	• Flange	
7		1	• Type plate	
8		1	• Pin	
9	3830017	1	• Return spring	
10		1	• Rotor	
11		1	• Gasket	
12		1	• Lock	
13		4	• Screw	
14		1	• Housing	
15		1	• Plug	
16	3830024	1	• Bearing	
17	3830025	1	• Sealing	
18		1	• Flange	
		2	• • Connection flange	
		4	• • Screw	For spare part take screw 956585 and gasket 18665.
		4	• • Lock washer	For spare part take screw 956585 and gasket 18665.
		1	• • O-ring	
19	3829869	1	Control valve	
	877302	1	Valve kit	SEE GROUP 99
	877353	1	Valve kit, Regulator	Tune up kit include diaphragm, seat, springs and plunger of solenoid.
20	3830394	1	Strainer	
21	3829999	1	Hose	
22	952075	1	Plug	
23	881190	2	Cable union	
24	977308	X	Electric cable	2x1,5sq.mm, L=3000mm