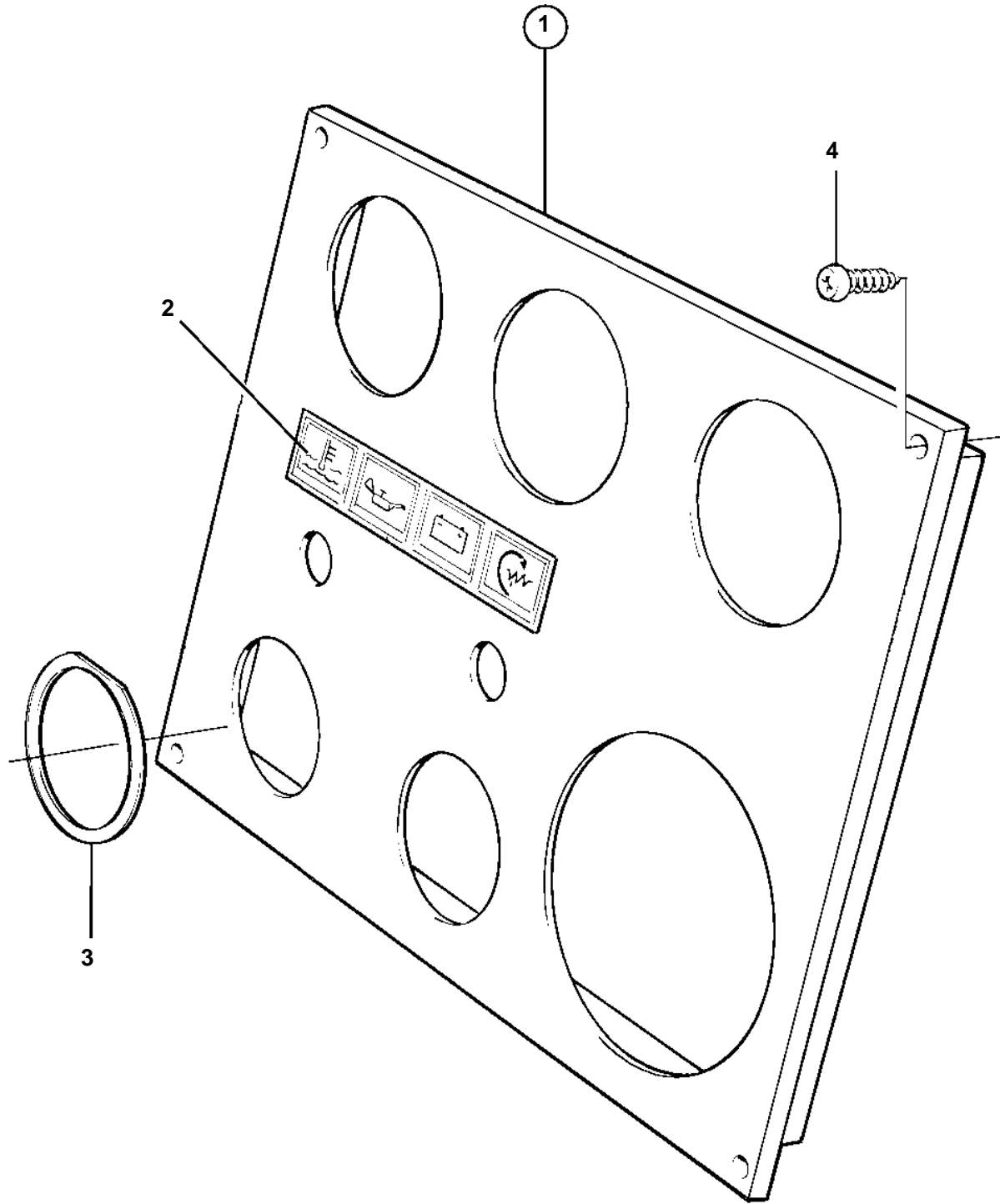


TAMD103A-A, TAMD103A-A AUX



TAMD103A-A, TAMD103A-A AUX

REF	PART NO.	QTY	DESCRIPTION
1	860184	1	Instrument panel
2	858645	1	· Symbol strip
3		1	· Marking label, starter switch
4	828647	4	Screw