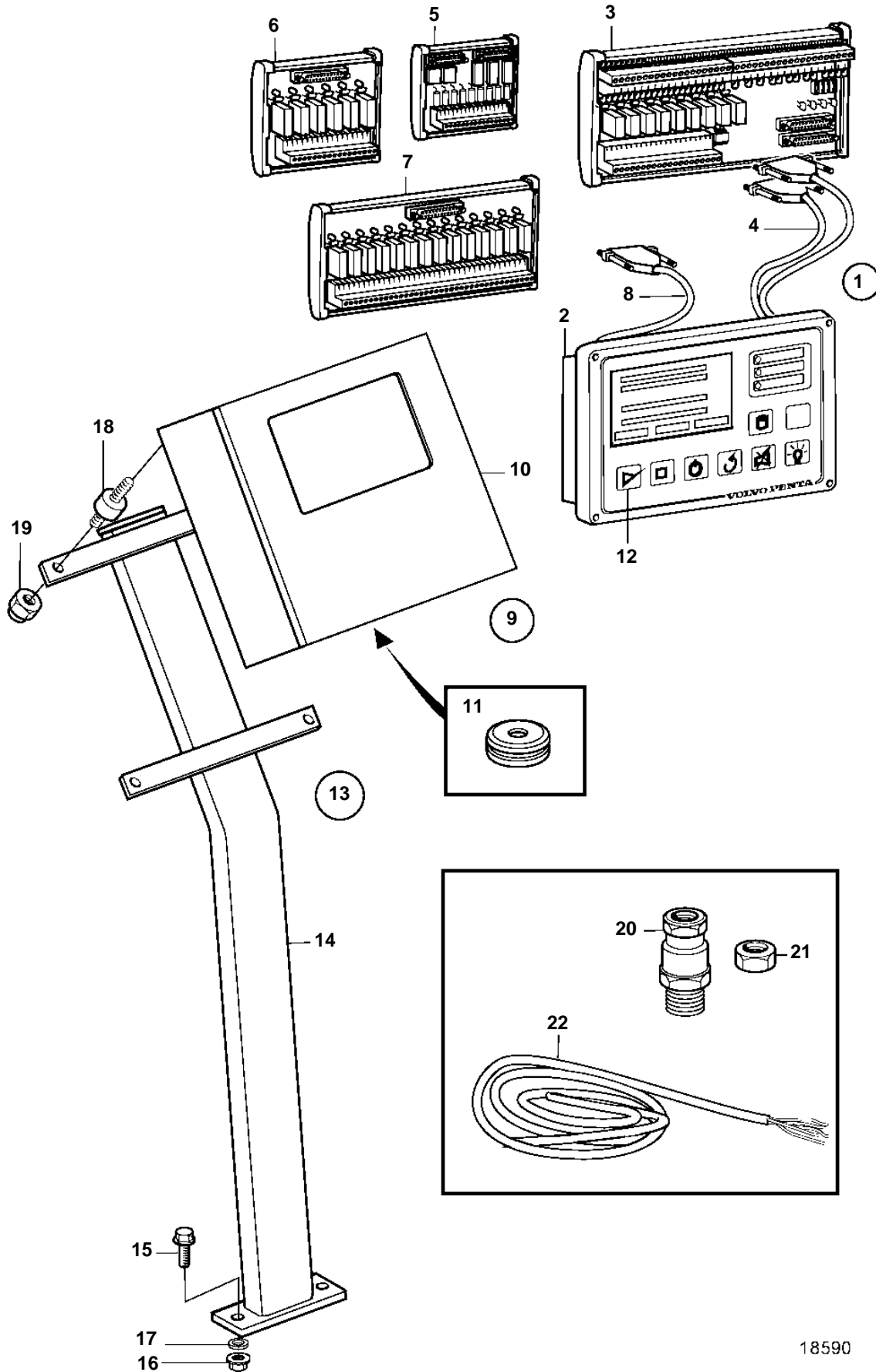


TAMD103A-A, TAMD103A-A AUX



18590

TAMD103A-A, TAMD103A-A AUX

REF	PART NO.	QTY	DESCRIPTION	NOTES
1	874161	1	Electronic unit, Control unit	CU 2500 P
			Control unit	DCU305R2 PROP
2	3887643	1	Control unit	For propultion
3	874162	1	· Terminal, RK-60	REPL BY 874466
		1	· Terminal, RK-66	
4	874163	2	· Wiring harness	25-pin D-SUB
5	874243	1	Relay	AK-6
6	874165	1	Relay	MK-6
7	874164	1	Relay	MK-14
8	874166	1	Wiring harness	15-pin D-SUB
9		1	Box	
10	3830520	1	Box	
11	941268	3	Plug	
12	662620	1	Rubber button	