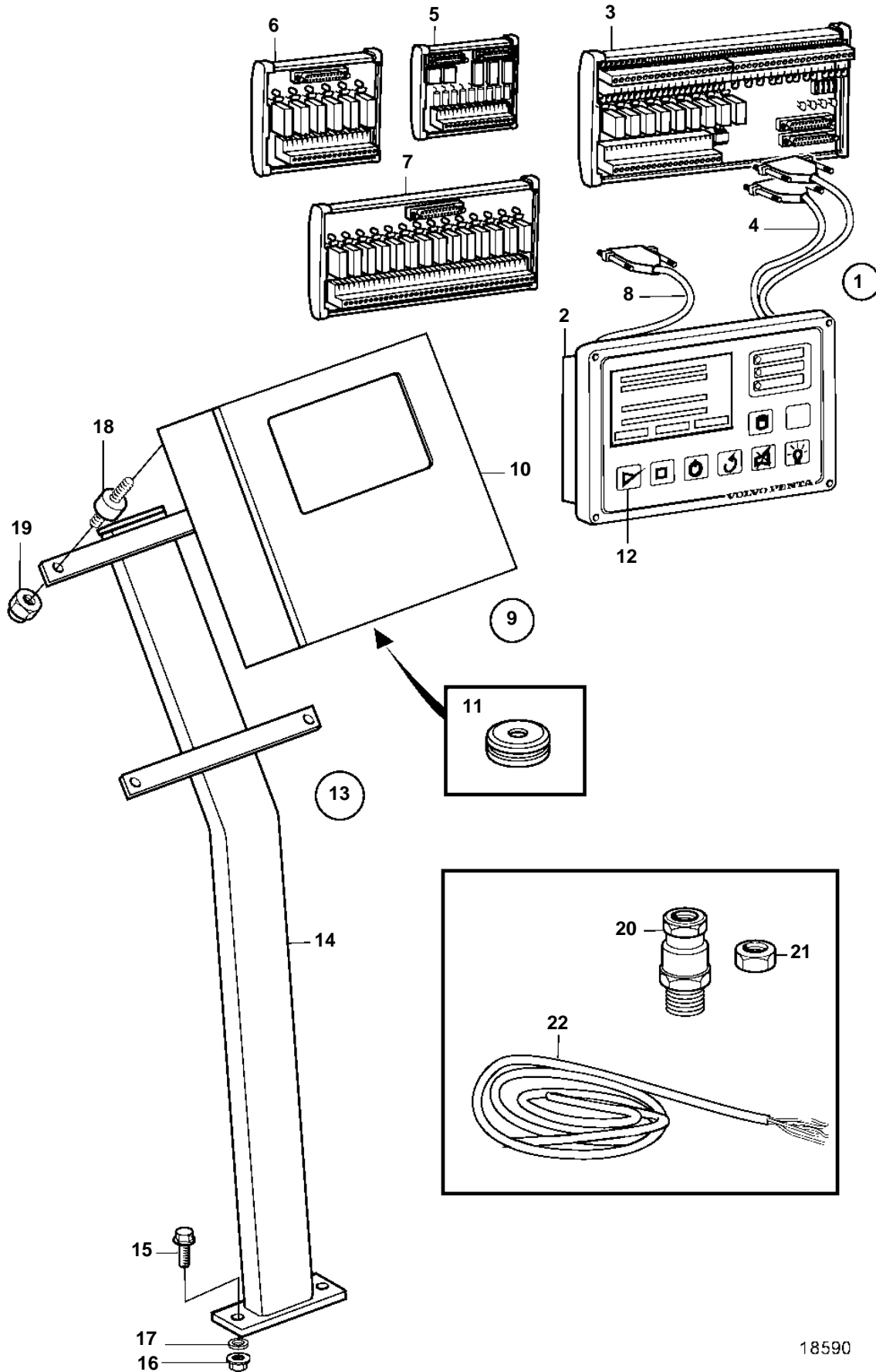


TAMD103A-A, TAMD103A-A AUX



18590

