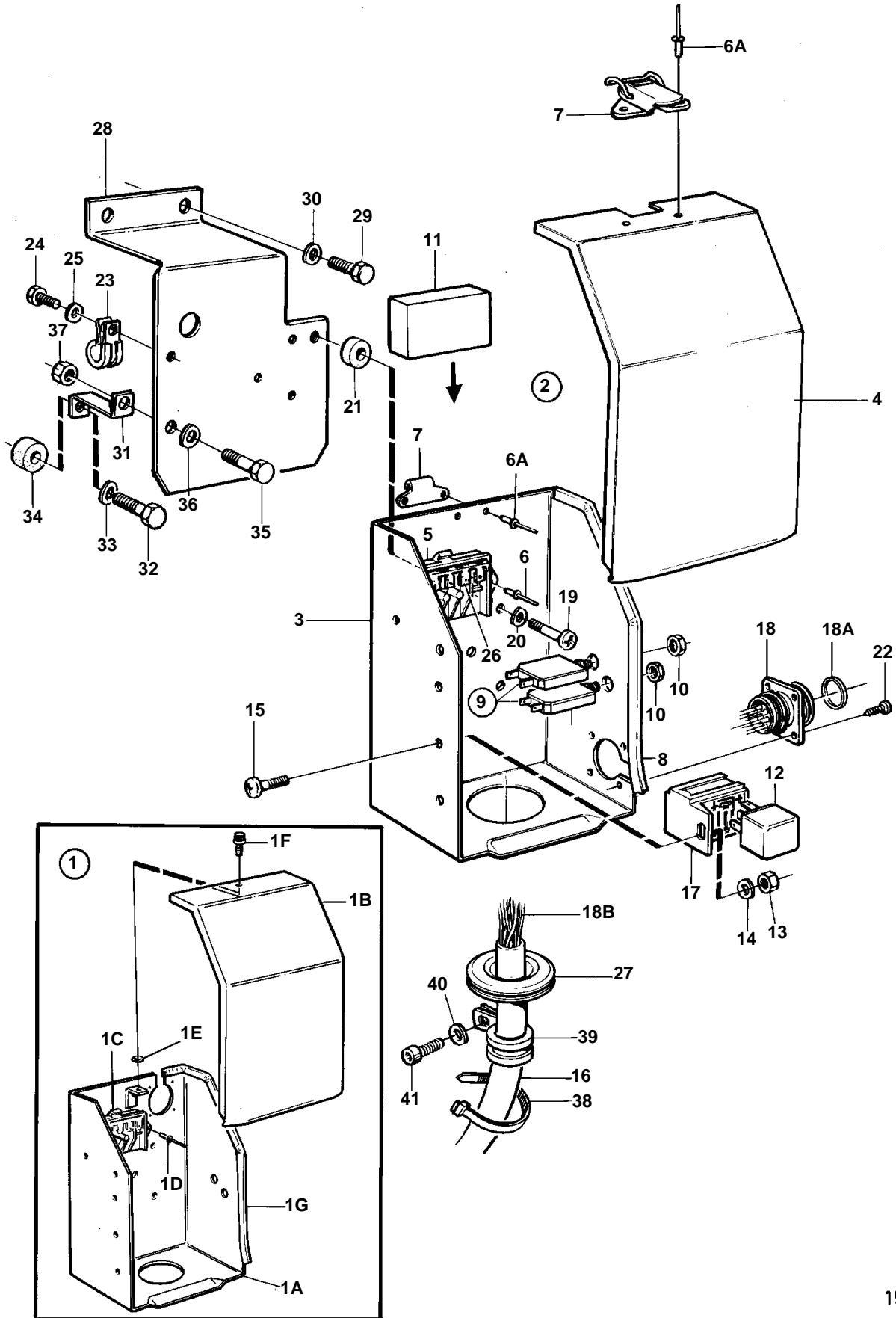


TAMD103A-A, TAMD103A-A AUX



15360

## TAMD103A-A, TAMD103A-A AUX

REF	PART NO.	QTY	DESCRIPTION	SEE SEC.	NOTES
1	846660	1	Electrical distribut		REPLACED BY 3825254
1A	846791	1	• Box		REPLACED BY 3825254
1B		1	• Cardboard tube		
1C	1234048	1	• Bottom section		
1D	942670	2	• Blind rivet		
1E	925051	1	• O-ring		
1F	846736	1	• Lock screw		
1G		1	• Stop dog		
2		1	Electrical distribut		LATE TYPE
3		1	• Box		
4	3825253	1	• Cardboard tube		
5	1234048	1	• Bottom section		
6	942670	2	• Blind rivet		
6A	965592	4	• Blind rivet		
7	3825257	1	• Snap lock		
8		1	• Stop dog		
9	966689	2	Fuse		
10		2	• Nut		
11	9162425	1	Upper section		(1234264)
12	20374662	2	Relay		24V
13	955780	4	Hexagon nut		
14	941905	4	Spring washer		
15	956075	4	Cross recessed screw		
16	862859	1	Cable trunk		
17	977184	2	• Housing		
18	846611	1	• Housing		
18A	846615	1	• Sealing ring		
18B		X	• Electrical materials	1963	
19	956095	3	Cross recessed screw		(956094)
20	941906	3	Spring washer		
21	843075	3	Spacer sleeve		(845589)
22	955119	4	Cross recessed screw		
23	949747	1	Clamp		
24	955294	1	Hexagon screw		
25	941907	1	Spring washer		
26	1234263	1	Pin		
27	943920	1	Plug		
28	846819	1	Bracket		
29	940133	2	Hexagon screw		
30	942336	2	Spring washer		
31	846912	1	Bracket		
32	955562	1	Hexagon screw		
33	940280	1	Spring washer		
34	823196	1	Spacer sleeve		
35	955524	1	Hexagon screw		
36	941907	1	Spring washer		
37	955826	1	Hexagon nut		
38	948211	X	Cable tie		
39	949746	1	Clamp		Mounted on the heat exchanger.
40	941907	1	Spring washer		
41	956567	1	Hex. socket screw		