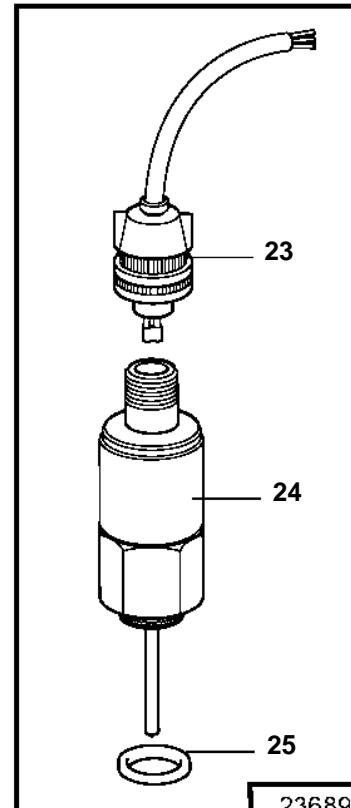
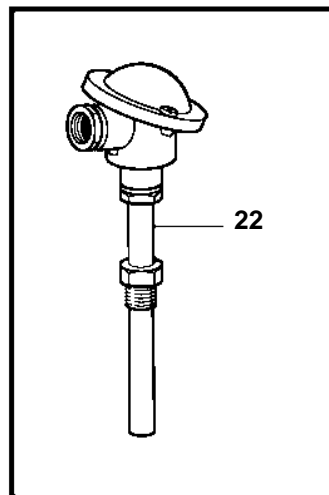
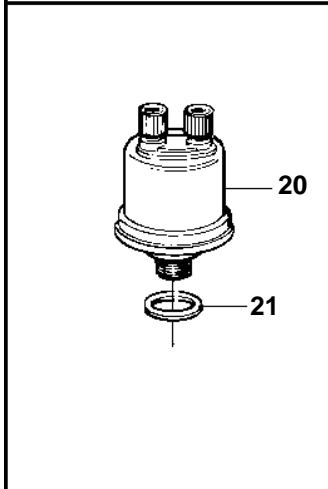
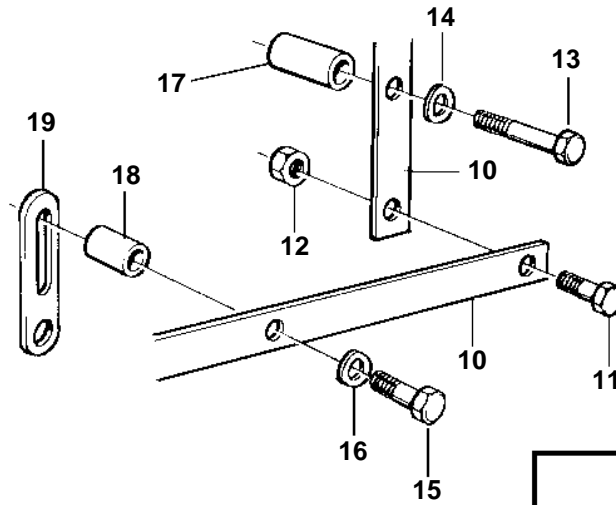
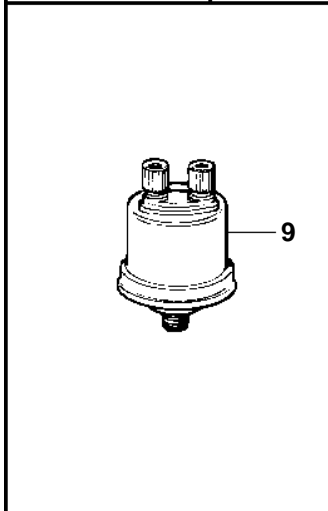
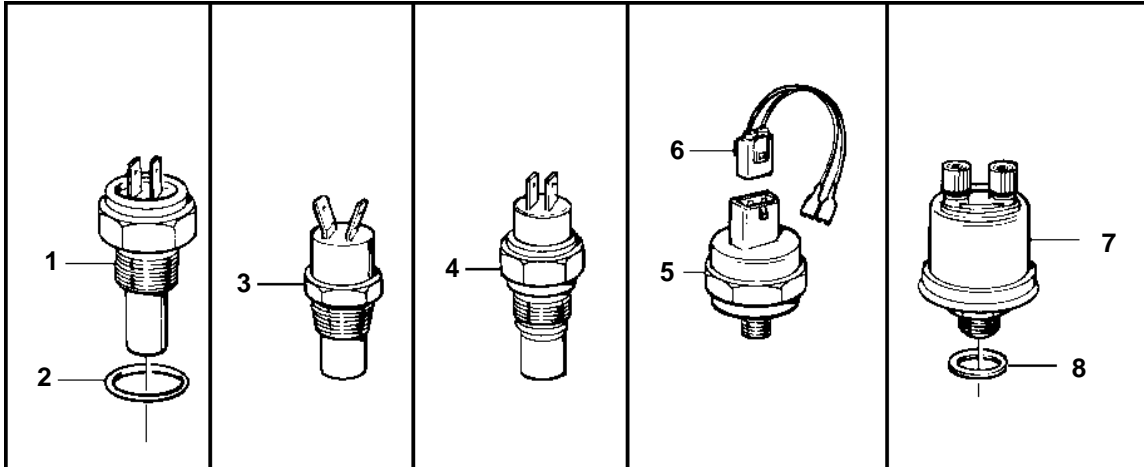


TAMD103A-A, TAMD103A-A AUX



23689

TAMD103A-A, TAMD103A-A AUX

REF	PART NO.	QTY	DESCRIPTION	SEE SEC.	NOTES
1	3013297	1	Tachometer sensor		
2	863604	1	Gasket		
3	822858	1	Thermo monitor, coolant water temp.		97°C
	822859	1	Switch, charge air temp		KC, 86°C
4	827150	1	Sensor, coolant water temp.		90°C
	837044	1	Temperature sensor, coolant water temp.		For double instruments.
5	863169	1	Pressure monitor, oil pressure-engine		0,7bar
6	873601	1	Cable		
7	872196	1	Pressure sensor, turbo		0-3 bar
8	947624	1	Gasket		
9	866835	1	Sensor, oil-engine		0-10 bar
			· Bulletin P-38-6-1	P-38-6-1-EN	Vibration Damping Kit
9	866834	1	Pressure sensor, oil-engine		For double instruments., 0-10 bar
10		X	Cable iron		
11	946544	3	Flange screw		M6x16mm
12	945407	1	Flange nut		M6
13	940161	1	Hexagon screw		5/16
14	941907	1	Spring washer		
15	940162	2	Hexagon screw		3/8
16	942336	2	Spring washer		
17	820508	1	Spacer sleeve		L=28mm
18	827861	2	Spacer sleeve		L=19mm
19	849138	1	Bracket		
20	866840	1	Pressure sensor, reverse gear		0-30 bar
21	947624	1	Gasket		
22	3829871	1	Temperature sensor		
23	874160	1	Wiring harness, level guard		
24	874159	1	Level guard, expansion tank		
25	947624	1	Gasket		