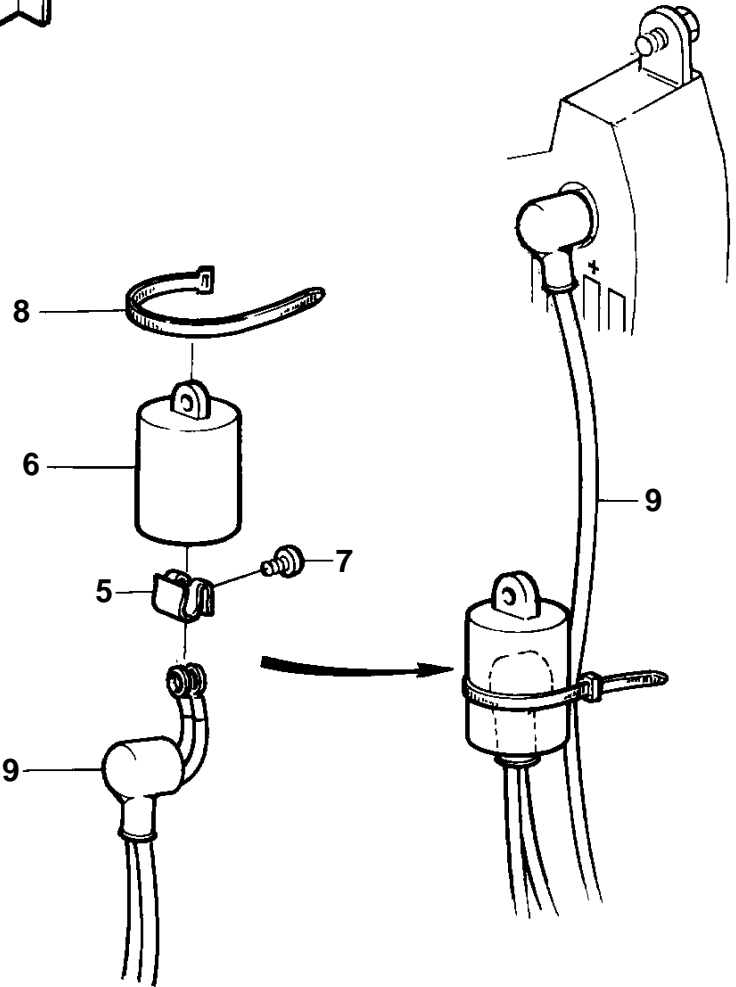
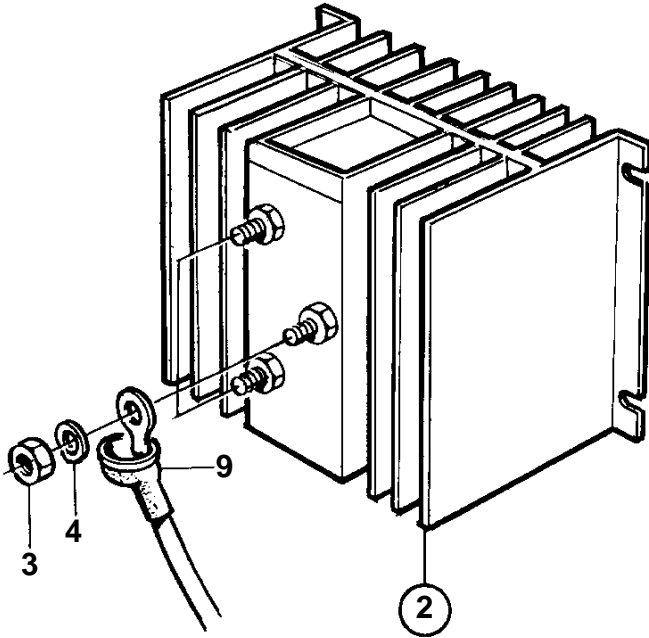


TAMD103A-A, TAMD103A-A AUX

①



TAMD103A-A, TAMD103A-A AUX

REF	PART NO.	QTY	DESCRIPTION	SEE SEC.	NOTES
1	873120	1	Junction block		For charging of 2 batteries., For alternators 12-28V up to 60A. Charging Distributor
			· Bulletin 52-07	52-07-EN	
			· Bulletin 52-11	52-11-EN	Charging Distributor
2	872928	1	· Junction block		
3	955846	3	· Hexagon nut		
4	941906	3	· Spring washer		
5	859492	1	· Spring nut		
6	859493	1	· Protecting casing		
7	955126	1	· Cross recessed screw		
8	948211	1	· Cable tie		
9		X	Electrical materials	1963	