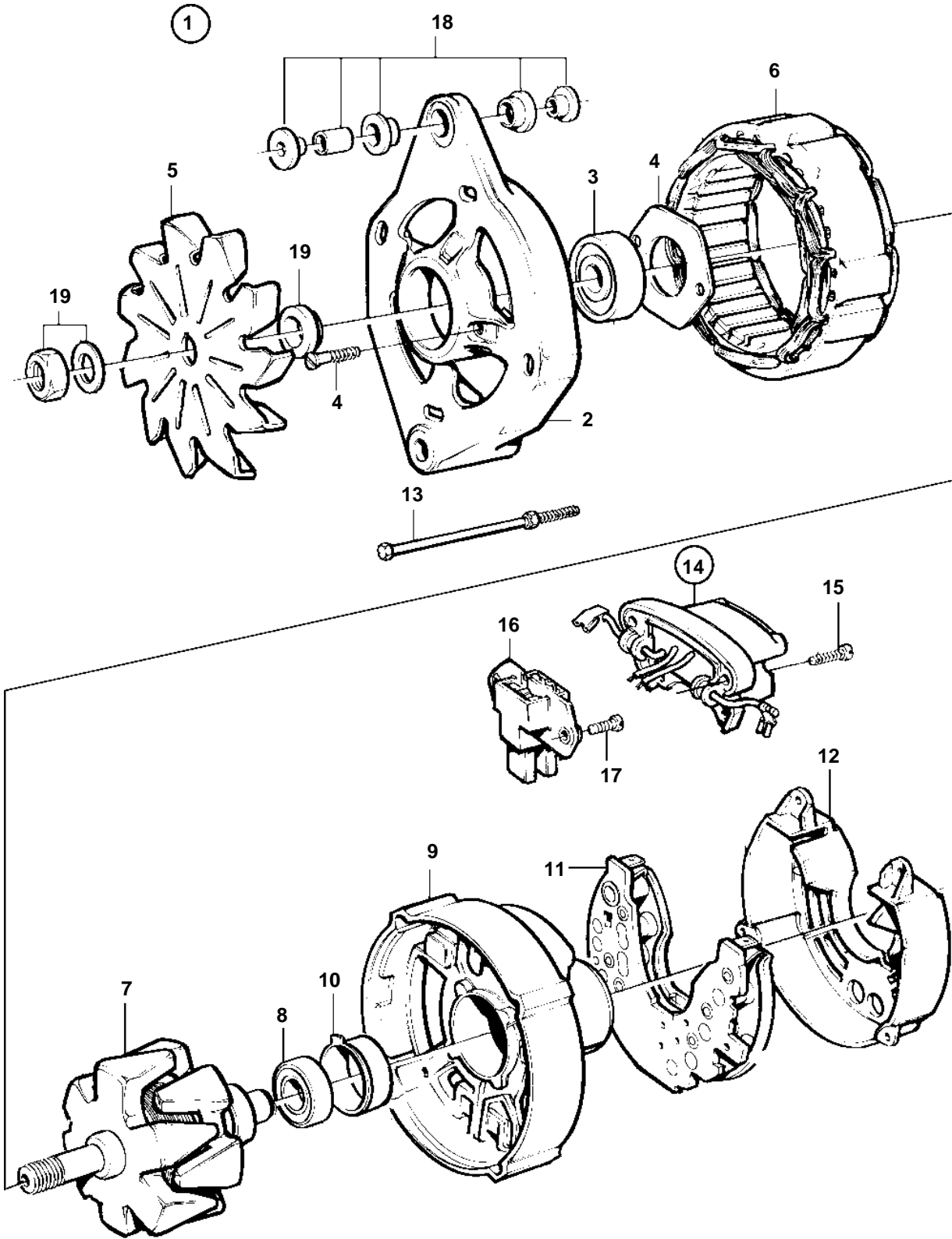


TAMD103A-A, TAMD103A-A AUX



TAMD103A-A, TAMD103A-A AUX

REF	PART NO.	QTY	DESCRIPTION	NOTES
1	873771	1	Alternator	28V 60A
	3803443	1	Alternator, exch, exch	28V 60A
2		1	· Housing	
3	847708	1	· Ball bearing	
4		1	· Mounting kit	
5	847707	1	· Fan	
6		1	· Stator	
7		1	· Rotor	
8	864351	1	· Ball bearing	
9		1	· Housing	
10		1	· Bearing race	
11	1698689	1	· Diode bridge	
12	847712	1	· Protecting casing	
13	847710	1	· Screw kit	
14	872368	1	· Regulator kit, with brush holder	
15	859312	4	· · Screw	
16	840632	1	· · Brush retainer	
17	859312	2	· · · Screw	
18	840634	1	· Guide	
19	847706	1	· Nut set	