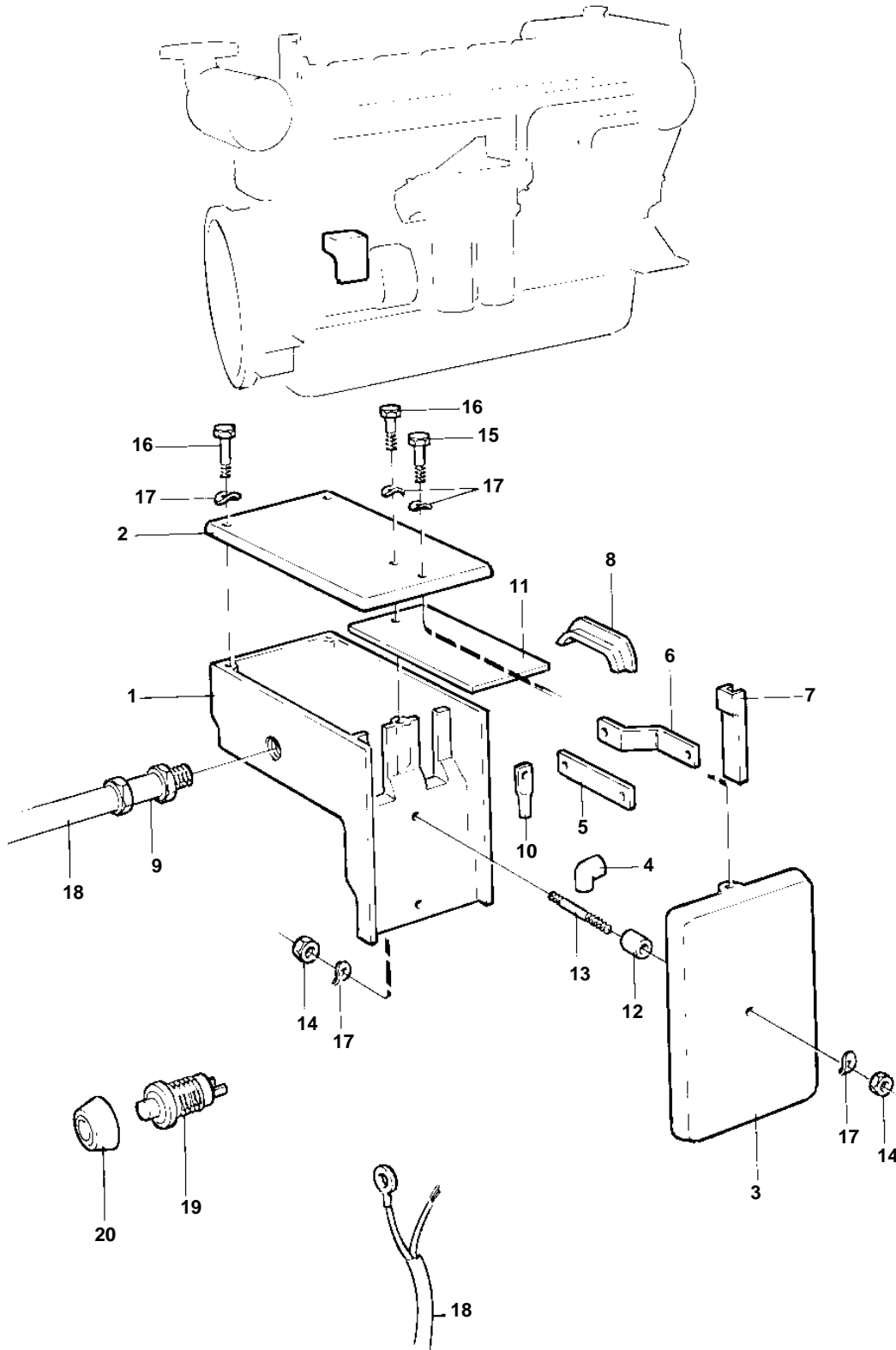


TAMD103A-A, TAMD103A-A AUX



6514

**TAMD103A-A, TAMD103A-A AUX**

REF	PART NO.	QTY	DESCRIPTION	SEE SEC.	NOTES
1	846565	1	Clutch housing		
2	837378	1	Cardboard tube		
3	837379	1	Cardboard tube		
4	847742	2	Clamping sleeve		
5	837483	1	Guide rail		
6	837484	1	Guide rail		
7	837486	4	Housing		
8	837488	1	Sealing strip		
9	881192	2	Cable union		
10		X	Electrical materials	1963	
11	837558	1	Guard plate		
12	192618	X	Hose		L=50mm
13	946945	1	Stud		
14	955825	2	Hexagon nut		
15	955513	1	Hexagon screw		
16	940117	3	Hexagon screw		
17	941906	7	Spring washer		
18		X	Electrical materials	1963	
19	843684	1	Button		
20	837533	1	Rubber cap		