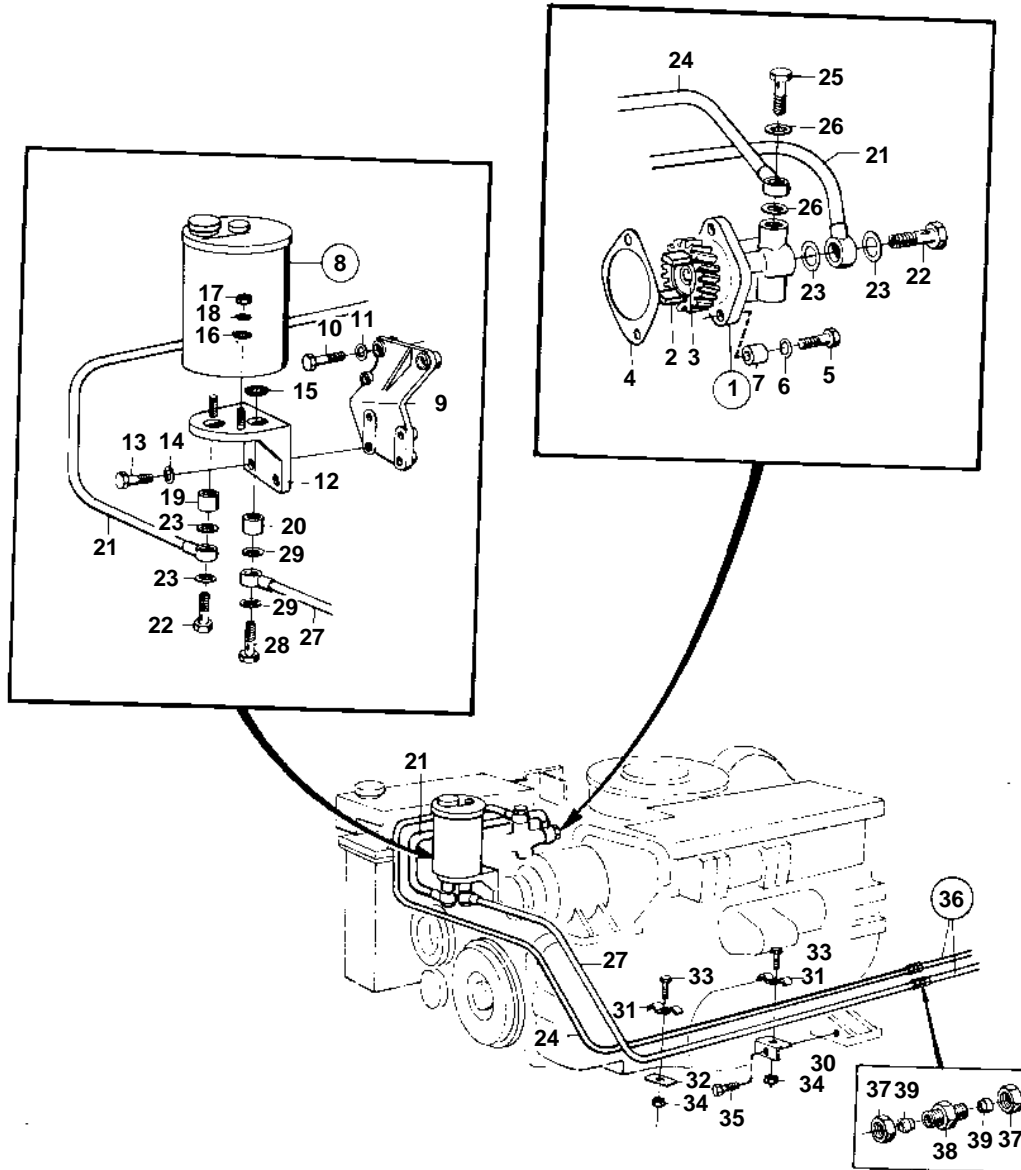


THAMD70C,AQD70CL



3918

# HYDRAULIC PUMP AND OIL RESERVOIR AND INSTALLATION COMPONENTS

# 060

THAMD70C,AQD70CL

REF	PART NO.	QTY	DESCRIPTION	SEE SEC.	NOTES
1	356506	1	Hydraulic pump		
				060-0400	
2	836337	1	Gear		
3	346918	1	Nut		
4	421187	1	Gasket		
5	940156	1	Screw		L = 89 MM
	955535	1	Screw		L = 32 MM
6	942336	2	Spring washer		
7	822791	1	Spacer sleeve		
8	323138	1	Oil cooler		REPL BY 327194
				060-0500	
	327194	1	Reservoir		
				060-0550	
9	836828	1	Bracket		
10	955525	1	Screw		L = 25 MM
	940136	2	Screw		L = 64 MM
11	941907	3	Spring washer		
12	328378	1	Bracket		
13	940115	4	Screw		
14	942336	4	Spring washer		
15	328382	2	O-ring		
16	328381	2	O-ring		
17	955782	2	Nut		
18	941907	2	Spring washer		
19	328379	1	Connection sleeve		
20	328380	1	Connection sleeve		
21	836865	1	Tube		
22	191620	2	Hollow screw		
23	907137	4	Gasket		
24	836866	1	Tube		
25	190713	1	Hollow screw		
26	11996	2	Gasket		
27	836867	1	Tube		
28	26013	1	Hollow screw		
29	957181	2	Gasket		
30	837145	2			
31	836671	4	Clamp		
32	821076	2	Clamp		
33	950060	4	Screw		MO-XXXX/23139
	950060	2	Screw		MOXXXX/23140-
	950047	2	Screw		MOXXXX/23140-
34	955826	4	Nut		MO-XXXX/23139
	955826	2	Nut		MOXXXX/23140-
	955825	2	Nut		MOXXXX/23140-
35	940113	2	Screw		
36	832394	2	Hose		SEE GROUP 4A
37	956985	4	· Nut		FOR EARLY TYPE OF 832394.
	956985	2	· Nut		
38	957057	2	· Fitting		FOR EARLY TYPE OF 832394.
39	956971	4	· Ferrule		FOR EARLY TYPE OF 832394.
	956971	2	· Ferrule		