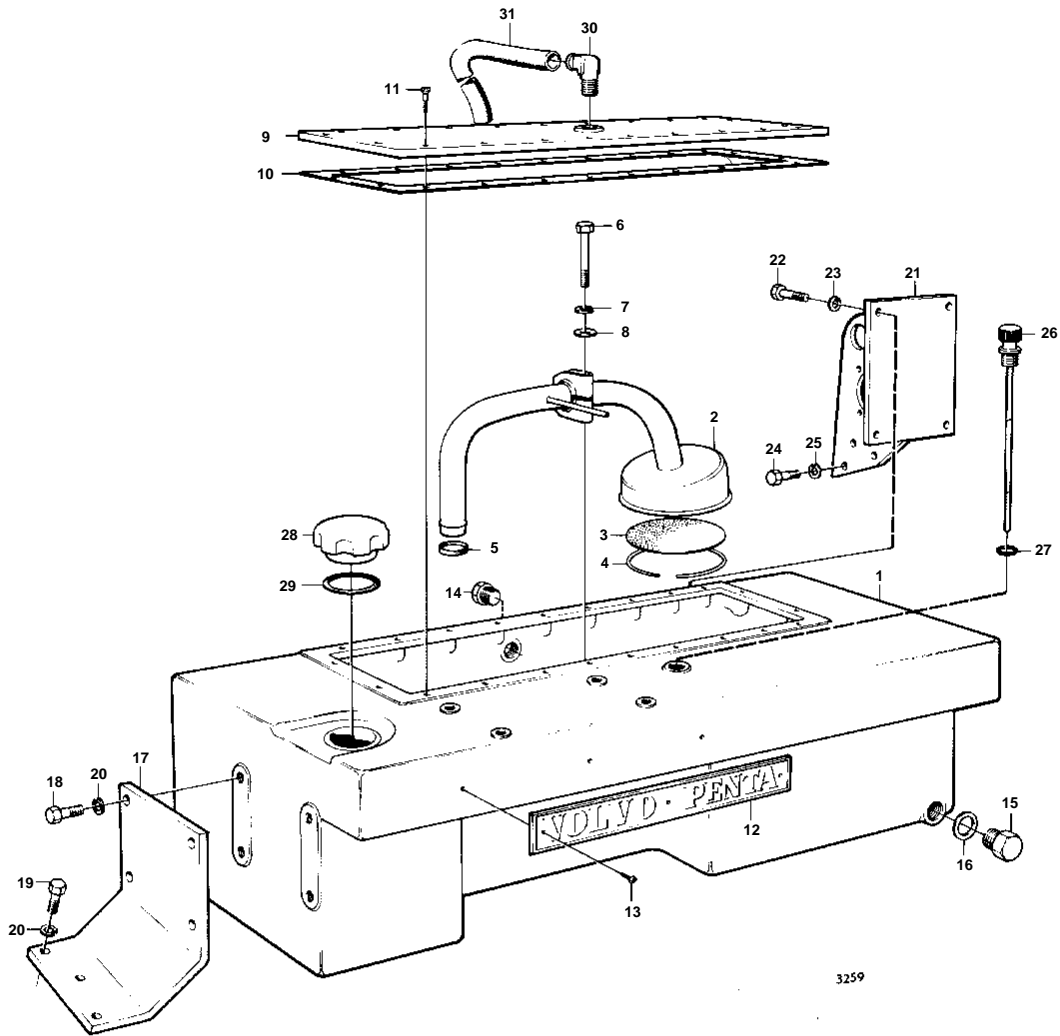


THAMD70C,AQD70CL



THAMD70C,AQD70CL

REF	PART NO.	QTY	DESCRIPTION	NOTES
1	836479	1	Oil tank	
2	836785	1	Suction line	
3	403483	1	Wire gauze	
4	118123	1	Lock ring	
5	469482	1	O-ring	IK
6	955529	1	Screw	
7	941907	1	Spring washer	
8	955894	1	Washer	
9	836498	1	Cover	
10	836499	1	Gasket	
11	950147	22	Screw	
12	820232	1	Sign	
13	950210	3	Screw	
14	192134	1	Plug	
15	837342	1	Plug	
16	957185	1	Gasket	IK
17	836679	1	Bracket	
18	955535	4	Screw	
19	940114	3	Screw	
20	942336	7	Spring washer	
21	836636	1	Bracket	
22	955535	4	Screw	
23	942336	4	Spring washer	
24	955562	3	Screw	
25	940280	3	Spring washer	
26	836500	1	Oil dipstick	
27	925053	1	O-ring	
28	420292	1	Oil filler cap	
29	940096	1	Gasket	
30	468629	1	Elbow nipple	
31	192358	X	Rubber hose	L = 240 MM