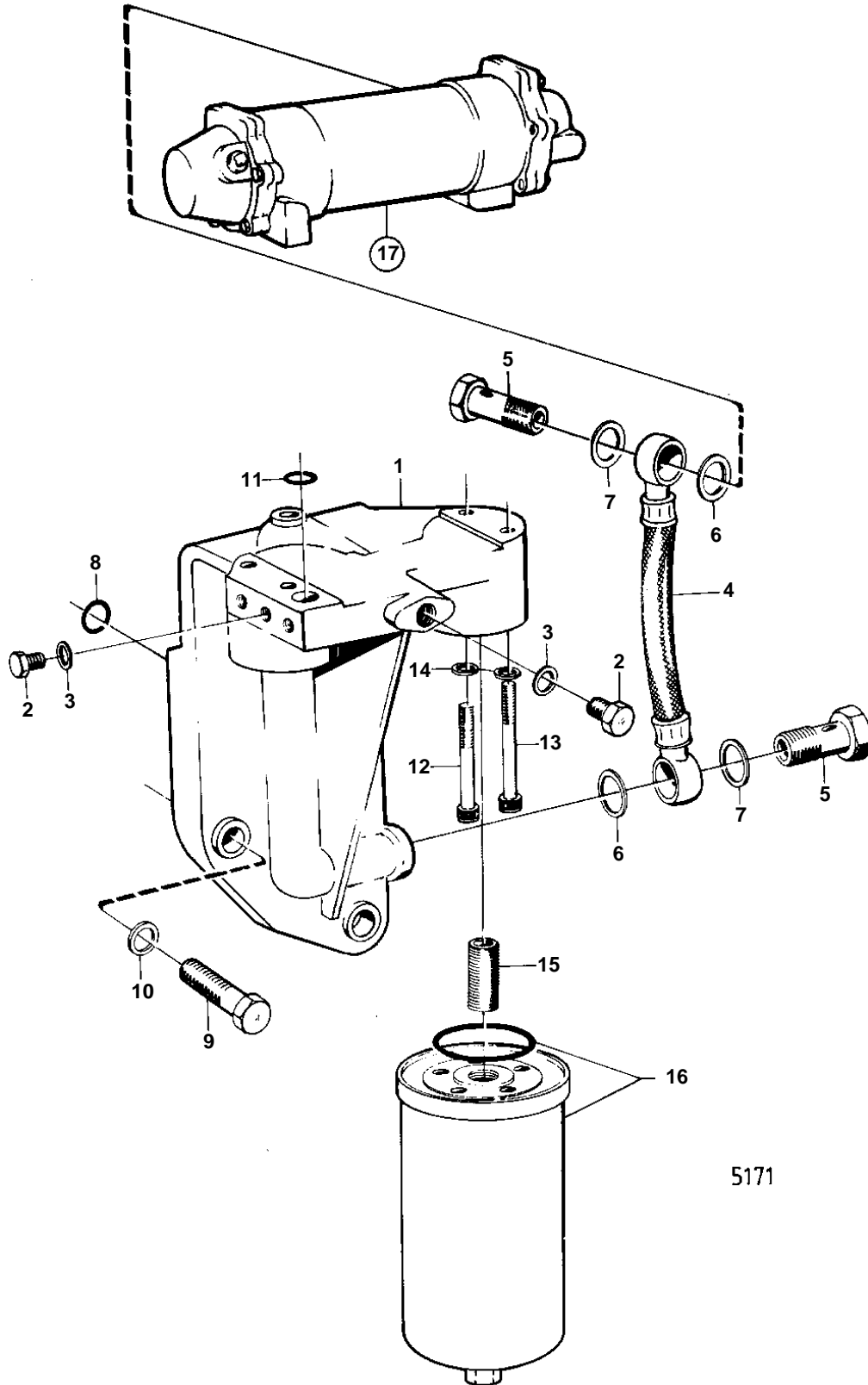


TAMD70C,AQD70C



TAMD70C,AQD70C

| REF | PART NO. | QTY | DESCRIPTION | | NOTES |
|-----|----------|-----|---------------|----|------------------------|
| 1 | 820516 | 1 | Bracket | | |
| 2 | 914390 | 6 | Plug | | |
| 3 | 957177 | 6 | Gasket | IK | |
| 4 | 837692 | 1 | Hose | | |
| 5 | 804478 | 2 | Hollow screw | | |
| 6 | 957185 | 2 | Gasket | IK | |
| 7 | 957184 | 2 | Washer | IK | |
| 8 | 925059 | 2 | O-ring | IK | |
| 9 | 940162 | 3 | Screw | | |
| 10 | 942336 | 3 | Spring washer | | |
| 11 | 955987 | 1 | O-ring | | SEE GROUP 2B |
| 12 | 956571 | 3 | Screw | | L = 32 MM SEE GROUP 2B |
| 13 | 956572 | 1 | Screw | | L = 38 MM SEE GROUP 2B |
| 14 | 11992 | 4 | Gasket | | SEE GROUP 2B |
| 15 | 423067 | 2 | Nipple | | |
| 16 | 4785974 | 2 | Oil filter | | |
| 17 | | 1 | OIL COOLER | | SEE GROUP 2B |