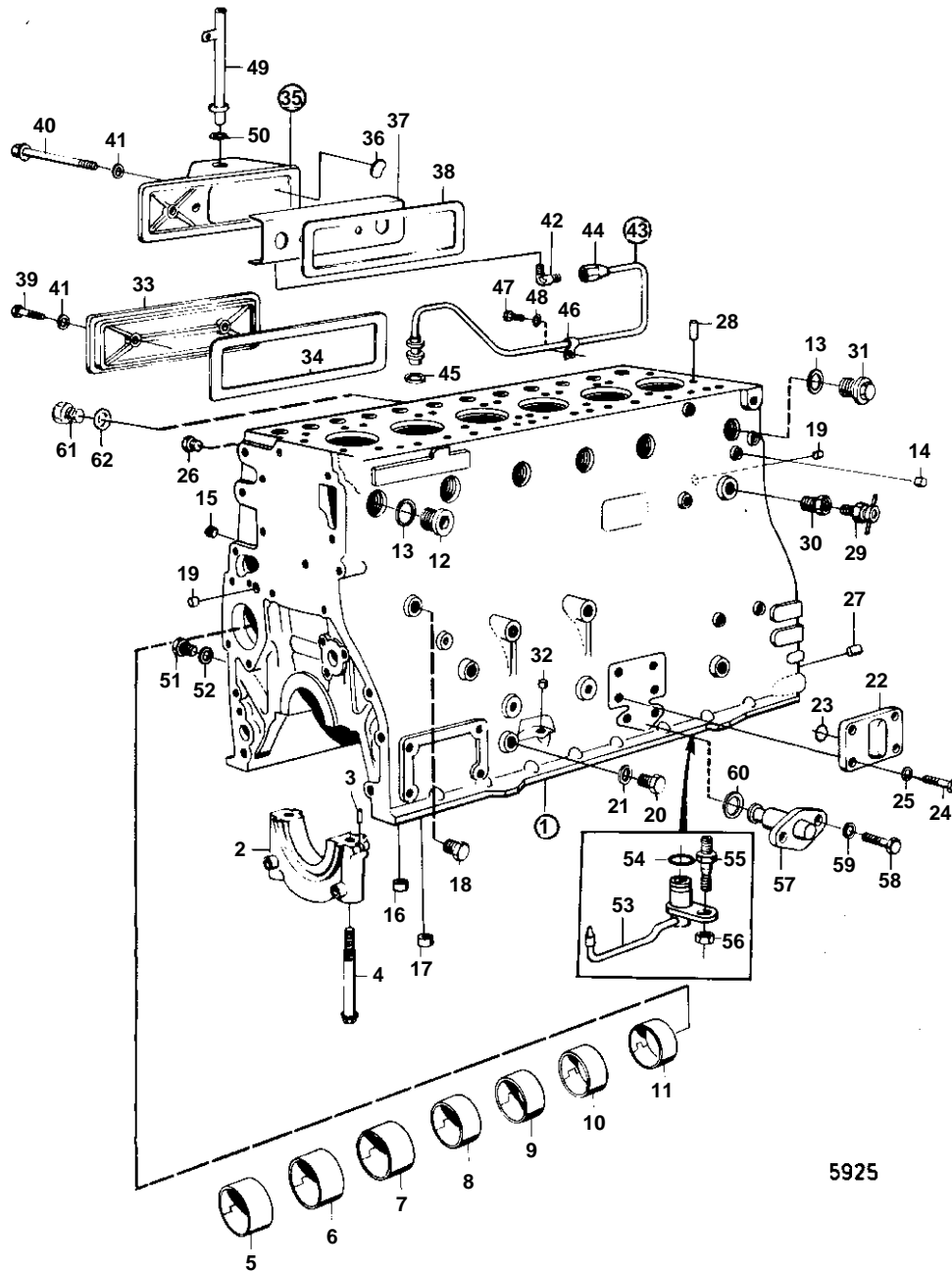


TAMD70C,AQD70C



## TAMD70C,AQD70C

REF	PART NO.	QTY	DESCRIPTION	NOTES
1	466830	1	Cylinder block	SPARE PART VERSION.
2		7	· BEARING CAP	
3	422426	1	· Pin	
4	421153	14	· Screw	
5	422076	1	· Bushing	
6	422077	1	· Bushing	
7	422078	1	· Bushing	
8	422079	1	· Bushing	
9	422080	1	· Bushing	
10	422081	1	· Bushing	
11	422082	1	· Bushing	
12	467367	6	· Plug	
13	469328	6	· Gasket	IK
14	952075	1	· Plug	
15	422369	7	· Plug	
16	955079	1	· Cap plug	
17	952075	2	· Plug	
18	952077	1	· Plug	
19	955082	2	· Cap plug	
20	952077	3	· Plug	
21	18677	3	· Gasket	IK
22	837510	1	· Cover	
23	955994	2	· O-ring	
24	955534	4	· Screw	
25	942336	4	· Spring washer	
26	192154	1	· Plug	
27	191171	2	Pin	
28	949020	4	Pin	
29	87502	1	Tap	
30	190130	1	Nipple	
31	825815	1	Plug	
32	955082	3	Cap plug	
33	420120	1	Inspection cover	
34	421121	1	Gasket	IK
35	824351	1	Crankcase ventilatio	
36	192211	1	· Plug	
37	824382	1	Splash plate	
38	824381	1	Gasket	IK
39	422541	3	Screw	
40	823742	1	Screw	
41	469846	4	Sealing ring	IK
42	954342	1	Elbow union	
43	824481	1	Oil pipe	
44	954321	1	· Cap nut	
45	955983	1	· O-ring	
46	18301	1	Clamp	
47	955523	1	Screw	
48	941907	1	Spring washer	
49	824302	1	Tube	
50	421158	1	Sealing ring	
51	941959	1	Plug	
52	18818	1	Gasket	IK
53	471067	6	Nozzle	
54	955984	6	Sealing ring	
55	471118	6	Stud	
56	945467	6	Nut	
57	842083	1	Valve	
58	955513	2	Screw	
59	941906	2	Spring washer	
60	925065	1	O-ring	
61	16318	2	Plug	
62	907132	2	Gasket	IK