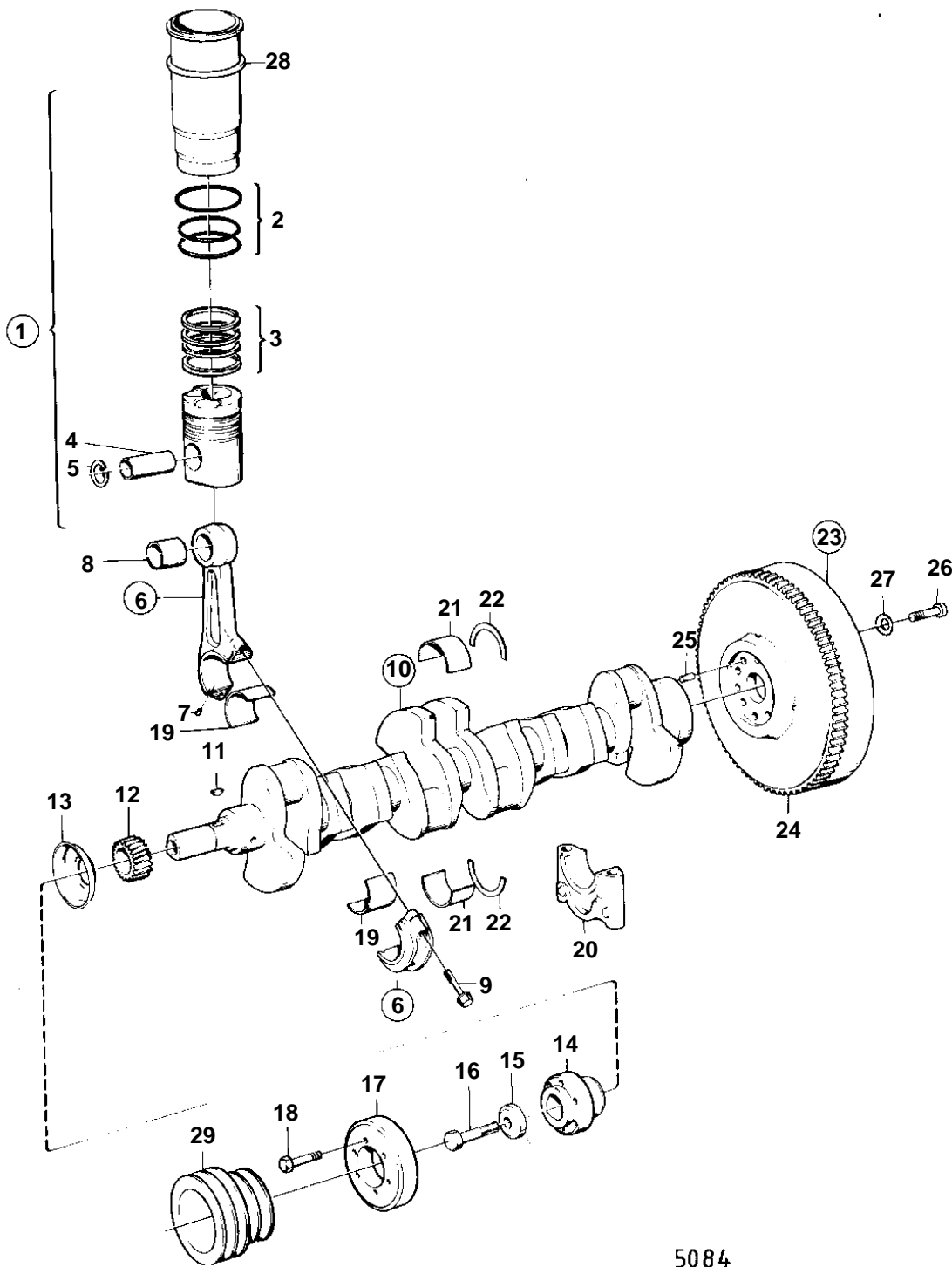


THAMD70C,AQD70CL



5084

THAMD70C,AQD70CL

REF	PART NO.	QTY	DESCRIPTION	SEE SEC.	NOTES
1	875541	6	Cylinder liner kit		
2	275735	6	· Sealing ring kit		
3	275375	6	· Piston ring kit		
4	421033	6	· Piston pin		STD D
	421300	6	· Piston pin		0,05MM O.S
	421302	6	· Piston pin		0,20MM O.S
5	914525	12	· Lock ring		
6	842326	6	Connecting rod		
7	21660	12	· Pin		
8	421142	6	· Bushing		
9	420126	12	· Screw		
10	847998	1	Crankshaft		
11	422253	1	· Woodruff key	02A-1200	
12	421080	1	Crankshaft gear	02A-1200	
13	420172	1	Oil deflector	02A-1200	
14	836304	1	Hub		
15	420124	1	Washer		
16	417464	1	Screw		
17	844675	1	Vibration damper		
18	955548	8	Screw		
19	270093	6	Big end bearing kit		STD D
	270094	6	Big end bearing kit		0,25MM U.S
	270095	6	Big end bearing kit		0,50MM U.S
	270096	6	Big end bearing kit		0,75MM U.S
	270097	6	Big end bearing kit		1,00MM U.S
	270098	6	Big end bearing kit		1,25MM U.S
20		7	BEARING CAP	02A-0450	
21	270432	7	Main bearing kit		STD D
	270433	7	Main bearing kit		0,25MM U.S
	270434	7	Main bearing kit		0,50MM U.S
	270435	7	Main bearing kit		0,75MM U.S
	270436	7	Main bearing kit		1,00MM U.S
	270437	7	Main bearing kit		1,25MM U.S
22	276754	1	Thrust washer kit		STD D
	276755	1	Thrust washer kit		0,1MM O.S
	276756	1	Thrust washer kit		0,2MM O.S
	276757	1	Thrust washer kit		0,3MM O.S
23	842760	1	Flywheel		
24	420067	1	· Gear ring		
25	950677	1	Pin		
26	944710	6	Screw		
27	467773	6	Washer		
28	466114	X	Adjusting washer		TH = 0,20 MM
	466183	X	Adjusting washer		TH = 0,30 MM
	466184	X	Adjusting washer		TH = 0,50 MM
29		1	EXTRA PULLEY		