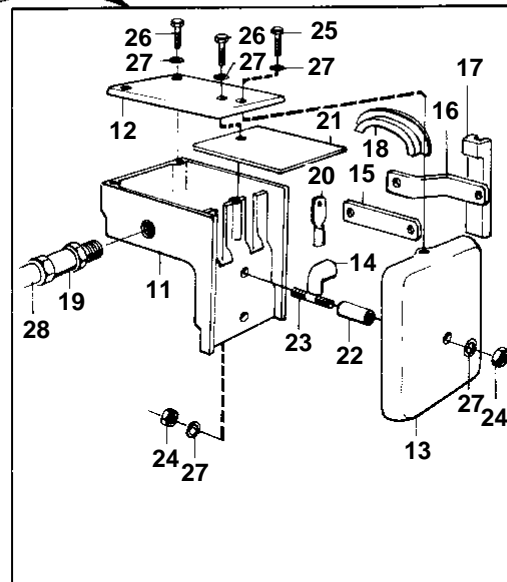
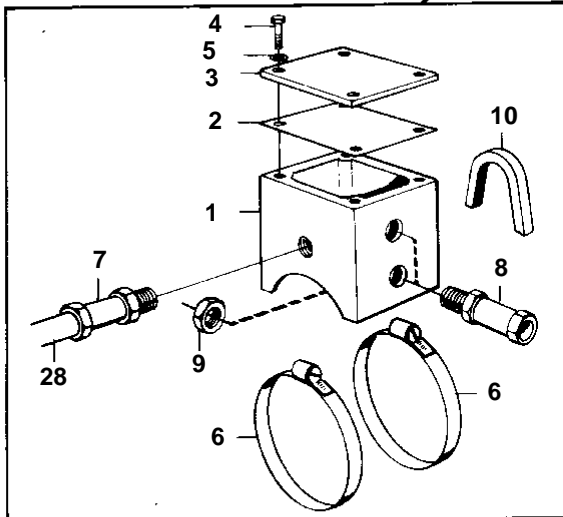
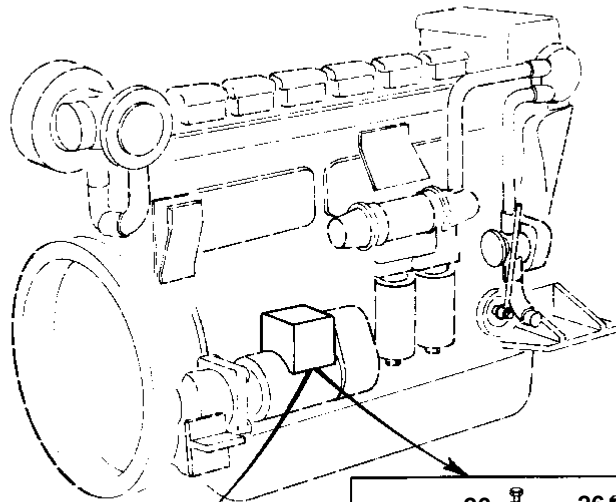


MD70C,TMD70C



3662

MD70C,TMD70C

REF	PART NO.	QTY	DESCRIPTION	SEE SEC.	NOTES
1	823515	1	Protection		MO-XXXX/8628.
2	823517	1	Gasket		MO-XXXX/8628.
3	823516	1	Cover		MO-XXXX/8628.
4	191038	4	Screw		MO-XXXX/8628.
5	941905	4	Spring washer		MO-XXXX/8628.
6	943484	2	Hose clamp		MO-XXXX/8628.
7	881192	1	Cable union		MO-XXXX/8628.
8	881193	2	Cable union		MO-XXXX/8628.
9	880755	2	Nut		MO-XXXX/8628.
10	823700	X	Rubber moulding		L = 300 MM. MO-XXXX/8628.
11	837377	1	Electrical distribut		MOXXXX/8629-.
12	837378	1	Cover		MOXXXX/8629-.
13	837379	1	Cover		MOXXXX/8629-.
14	847742	2	Clamping sleeve		STATE KEY CODE WHEN ORDERING
15	837483	1	Guide rail		MOXXXX/8629-.
16	837484	1	Guide rail		MOXXXX/8629-.
17	837486	4	Housing		MOXXXX/8629-.
18	837488	1	Sealing strip		MOXXXX/8629-.
19	881192	1	Cable union		MOXXXX/8629-.
20		X	CABLES AND TERMINALS RUBBER COVER	030-1950	
21	837558	1	Rubber guard		MOXXXX/8629-.
22	192618	X	Hose		MOXXXX/8629-.
23	946945	1	Stud		MOXXXX/8629-.
24	955825	2	Nut		MOXXXX/8629-.
25	955513	1	Screw		MOXXXX/8629-.
26	940117	3	Screw		MOXXXX/8629-.
27	941906	6	Spring washer		MOXXXX/8629-.
28		X	CABLES		ACC. TO CLASSIFICATION.