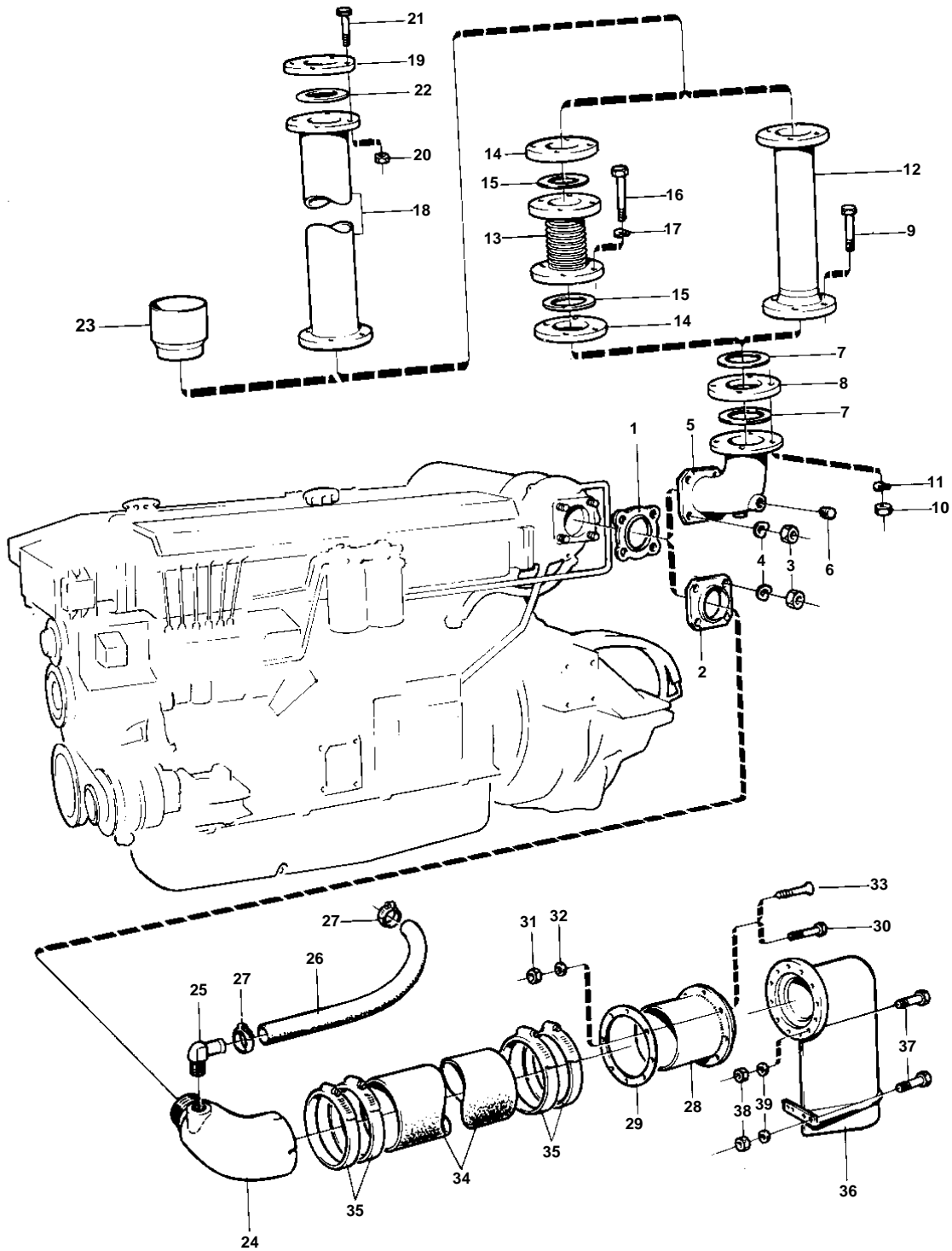


TMD70C,TAMD70C,AQD70C



4423

TMD70C,TAMD70C,AQD70C

REF	PART NO.	QTY	DESCRIPTION	NOTES
1	424631	1	Gasket	
2	823770	1	Flange	
3	943927	4	Nut	
4	941908	4	Spring washer	
5	836057	1	Exhaust riser	
	822089	1	Exhaust riser	TMD70B, TMD70C
6	192154	2	Plug	
7	862594	2	Gasket	
8	807625	1	Exhaust pipe flange	
	820905	1	Connection flange	TMD70B, TMD70C
9	955592	4	Screw	
10	955829	4	Nut	
11	941912	4	Spring washer	
12	820900	1	Exhaust hose	L = 590 MM
13	843087	1	Compensator	L = 85 MM
	843088	1	Compensator	L = 185 MM
14	820905	2	Connection flange	
15	862594	2	Gasket	
16	955591	8	Screw	EARLY TYPE
	955365	8	Screw	LATE TYPE
17	941912	8	Spring washer	
18	807704	1	Muffler	TMD70B, TMD70C
19	842004	2	Flange	TMD70B, TMD70C
20	955829	8	Nut	TMD70B, TMD70C
21	955591	8	Screw	TMD70B, TMD70C
22	862594	2	Gasket	TMD70B, TMD70C
23	837614	1	Connector	TAMD70C, TAMD70D
24	836745	1	Exhaust riser	
25	943134	1	Hose attachment	
26	13430	X	Rubber hose	L = 550 MM
27	943476	2	Hose clamp	
28	836757	1	Hull fitting	
29	836758	1	Gasket	
30	941815	8	Screw	L = 45 MM
31	940190	8	Nut	
32	836768	8	Washer	
33	836769	8	Wood screw	ALT L = 38 MM
34	828489	X	Exhaust hose	
35	943485	4	Clamp	
36	836823	1	Muffler	
37	959942	16	Screw	
38	940190	16	Nut	
39	940191	16	Washer	