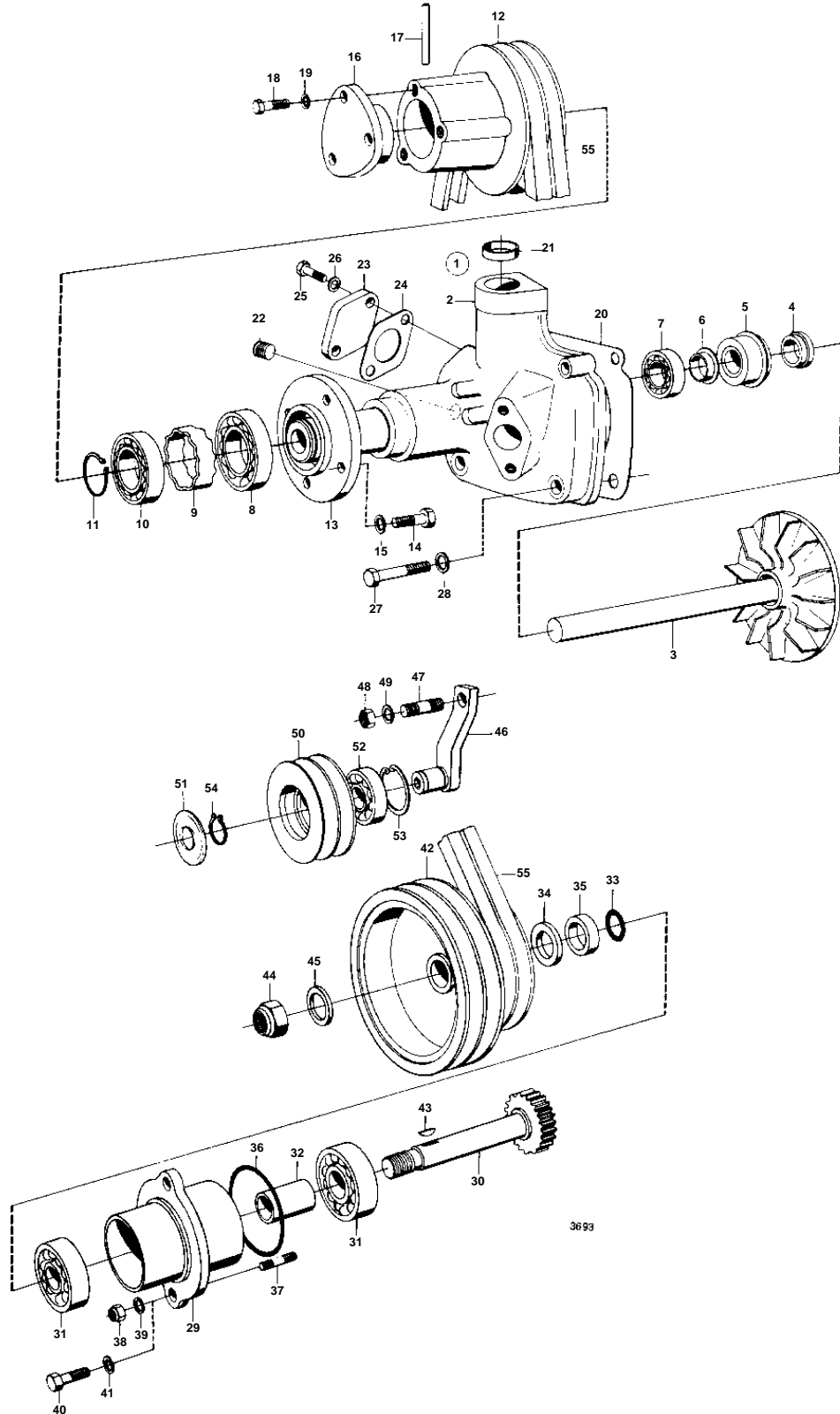


TAMD70C,AQD70C



CIRCULATION PUMP AND DRIVE DEVICE WITH INSTALLATION COMPONENTS

02B

TAMD70C,AQD70C

| REF | PART NO. | QTY | DESCRIPTION | SEE SEC. | NOTES |
|-----|----------|-----|---|----------|---------------------------------|
| 1 | 875475 | 1 | | | |
| | 875636 | | Water pump | | REPL BY 843417 |
| | 843417 | 1 | Water pump | | |
| | 3803211 | 1 | Circ. pump, exch | | Exchange unit |
| 2 | | 1 | · HOUSING | | |
| 3 | 421148 | 1 | · Shaft | IK | |
| 4 | 421306 | 1 | · Wear ring | IK | |
| 5 | 1545283 | 1 | · Sealing ring | IK | |
| 6 | 70913 | 1 | · Deflector | IK | |
| 7 | 1660609 | 1 | · Ball bearing | IK | |
| 8 | 181538 | 1 | Ball bearing | | |
| 9 | 823145 | 1 | Spacer sleeve | | |
| 10 | 19258 | 1 | Ball bearing | | |
| 11 | 914462 | 1 | Lock ring | | |
| 12 | 823129 | 1 | Pulley | | |
| 13 | 823130 | 1 | Companion flange | | |
| 14 | 955524 | 3 | Screw | | |
| 15 | 941907 | 3 | Spring washer | | |
| 16 | 823131 | 1 | Companion flange | | |
| 17 | 951970 | 1 | Pin | | |
| 18 | 955525 | 3 | Screw | | |
| 19 | 941907 | 3 | Spring washer | | |
| 20 | 421215 | 1 | Gasket | IK | |
| 21 | 420162 | 1 | Seal, SEAL PLUG COVER | IK | 02B-0450 |
| 22 | 968145 | 1 | Plug | | |
| 23 | 824339 | 1 | Cover | | MD70B, TMD70B. |
| 24 | 420171 | 1 | Gasket | IK | MD70B, TMD70B. |
| 25 | 940135 | 2 | Screw | | MD70B, TMD70B. |
| 26 | 941907 | 2 | Spring washer | | MD70B, TMD70B. |
| 27 | 940161 | 6 | Screw | | |
| 28 | 941907 | 6 | Spring washer | | |
| 29 | 843661 | 1 | Bearing housing | | |
| 30 | 896604 | 1 | Gear | | |
| 31 | 183731 | 2 | Ball bearing | | |
| 32 | 896605 | 1 | Spacer sleeve | | |
| 33 | 925059 | 1 | O-ring | IK | |
| 34 | 896672 | 1 | Spacer sleeve | | |
| 35 | 941899 | 1 | Oil sealing ring | IK | |
| 36 | 925254 | 1 | O-ring | IK | |
| 37 | 953259 | 2 | Stud | | MD70B, TMD70B.. TAMD70C,AQD70C. |
| 38 | 955827 | 2 | Nut | | MD70B, TMD70B.. TAMD70C,AQD70C. |
| 39 | 942336 | 2 | Spring washer | | MD70B, TMD70B.. TAMD70C,AQD70C. |
| 40 | 940115 | 2 | Screw | | TAMD70B, AQD70B, TMD70B. |
| 41 | 942336 | 2 | Spring washer | | TAMD70B, AQD70B, TMD70B. |
| 42 | 823134 | 1 | Pulley | | |
| 43 | 910115 | 1 | Key | | |
| 44 | 959399 | 1 | | | |
| 45 | 955900 | 1 | Washer | | |
| 46 | 842339 | 1 | Lever | | EARLY TYPE |
| | 465473 | 1 | Lever | | LATE TYPE |
| 47 | 953357 | 1 | Stud | | EARLY TYPE L = 100 MM |
| | 953351 | 1 | Stud | | LATE TYPE L = 70 MM |
| 48 | 955828 | 1 | Nut | | |
| 49 | 941911 | 1 | Spring washer | | |
| 50 | 822551 | 1 | Pulley | | |
| 51 | 420416 | 1 | Protecting plate | | |
| 52 | 1544092 | 1 | Ball bearing | | |
| 53 | 914533 | 1 | Snap ring | | |
| 54 | 914462 | 1 | Lock ring | | |
| 55 | 958346 | 1 | V-belt set | | |
| | 875474 | 1 | Repair kit, REPAIR KIT CIRCULATION PUMP | | |