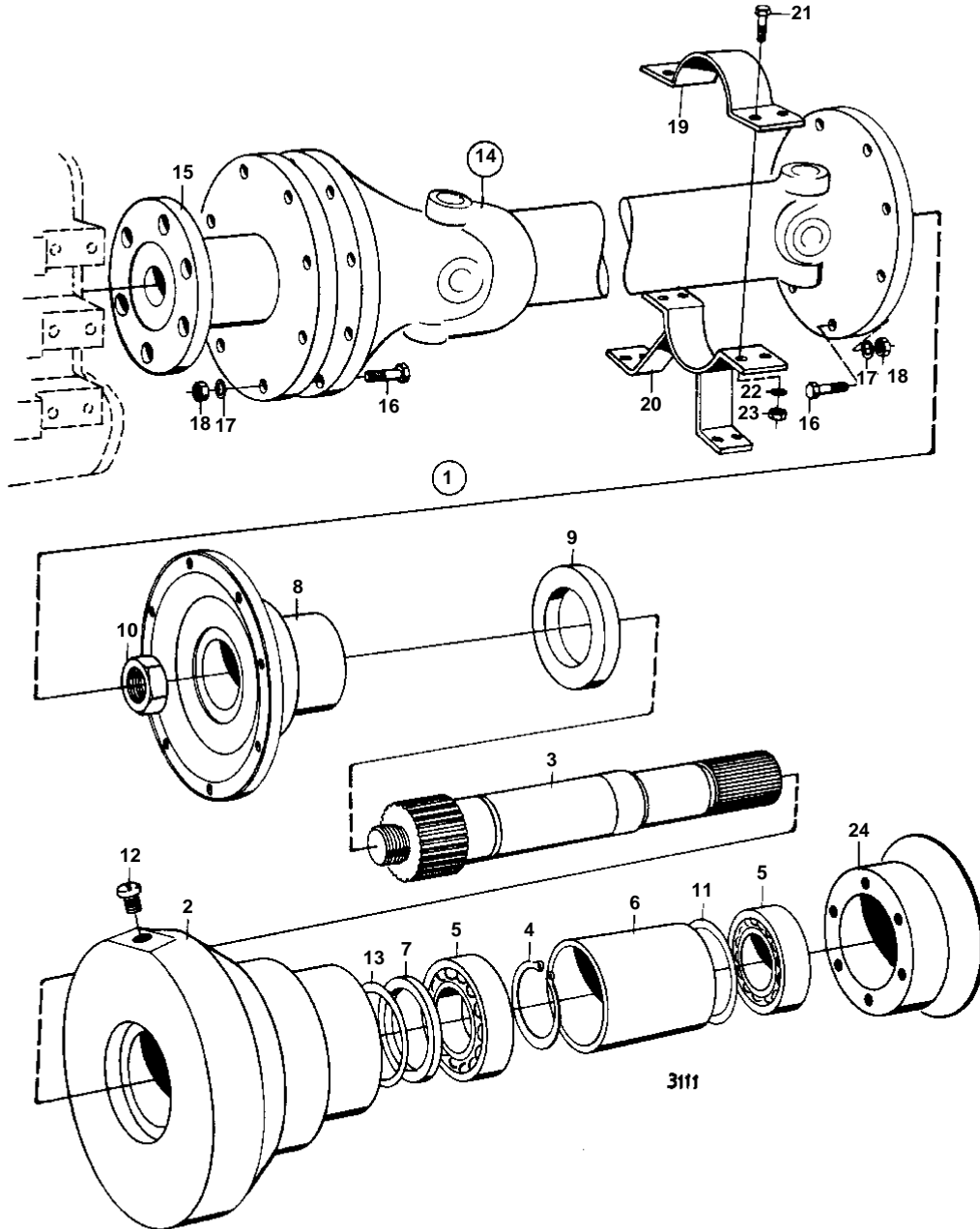


AQD70C,AQD70CL



AQD70C,AQD70CL

REF	PART NO.	QTY	DESCRIPTION	SEE SEC.	NOTES
1	832424	1	Intermediate section		
2		1	• BEARING HOUSING		
3	832426	1	• Shaft		
4	914472	1	• Lock ring		
5	181644	2	• Ball bearing		
6	832427	1	• Spacer sleeve		
7	832428	1	• Washer		
8		1	• CARRIER		EARLY TYPE. REPLACED BY 1EA 382990,1EA 943805
	382990	1	• Companion flange		LATE TYPE
9	946571	1	• Ring		
10	943805	1	• Nut		EARLY TYPE
	943805	1	• Nut		LATE TYPE
11	120746	X	• Adjusting washer		TH = 0,1 MM
	120747	X	• Adjusting washer		TH = 0,35 MM
	192084	X	• Adjusting washer		TH = 0,50 MM
12	804262	1	• Plug		
13	81383	X	• Spacer		TH = 0,1 MM
	81384	X	• Spacer		TH = 0,15 MM
14		1	UNIVERSAL JOINT SHAFT		
				04A-0850	
15	837314	1	Flange	04A-0550	
16	940128	16	Screw		
17	942336	16	Spring washer		
18	955848	16	Nut		
19	839346	2			
20	839347	2			
21	955317	8	Screw		
22	941908	8	Spring washer		
23	955783	8	Nut		
24	832256	1	Clamping ring	04A-0900	