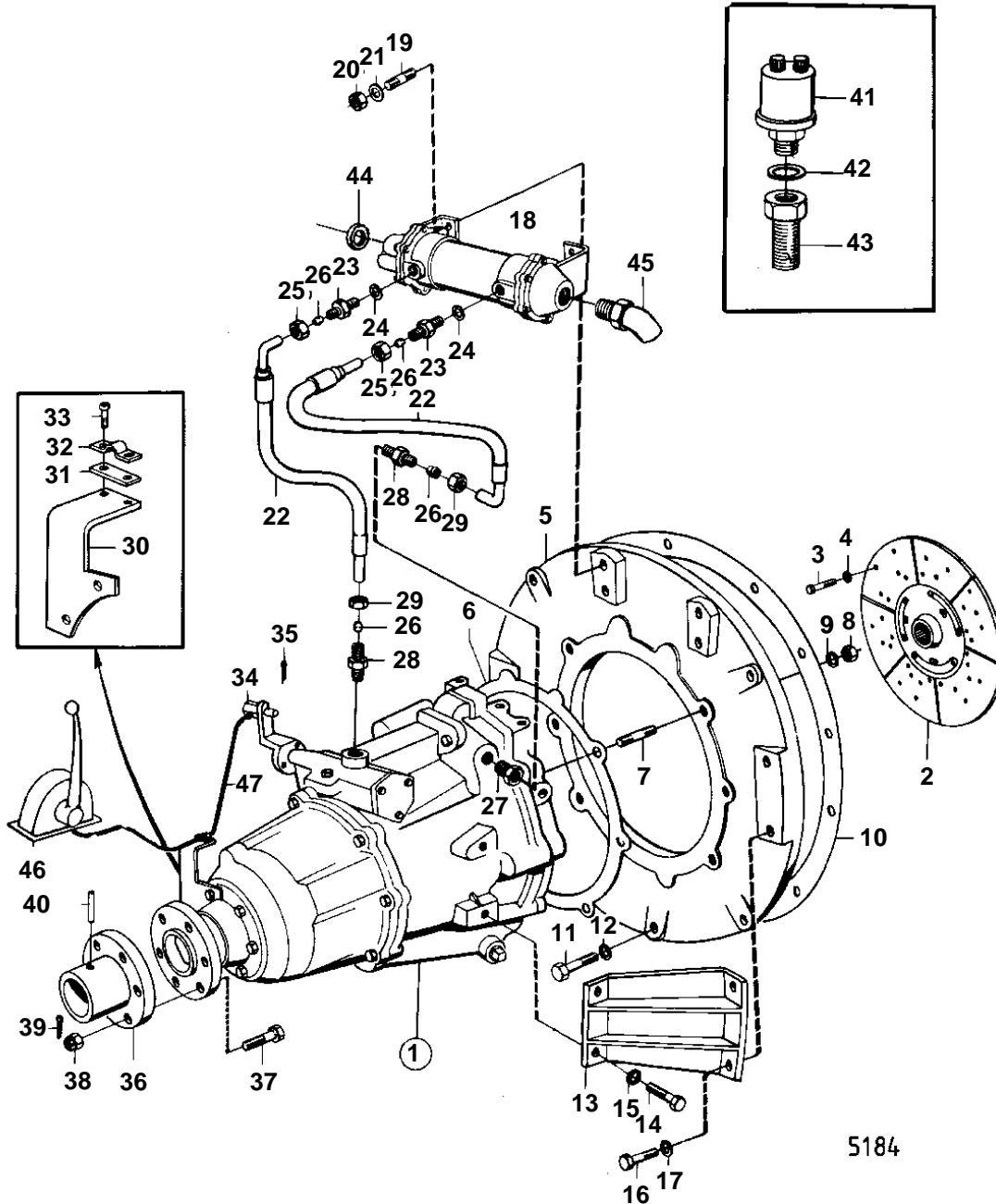


MD70C,TMD70C



MD70C,TMD70C

REF	PART NO.	QTY	DESCRIPTION	SEE SEC.	NOTES
1		1	REV. GEAR, RATIO 2:1		OPPOSITE REVOLUTION IN RELATION TO ENGINE. BW AS5-73CR
		1	REV. GEAR, RATIO 3:1		
			COMPONENTS NOT SPEC.		
2	809459	1	Vibration damper		
3	20463	8	Screw		
4	955950	8	Lock washer		
5	803901	1	Connection flange		
6	803921	1	Gasket		
7	953533	6	Stud		
8	940157	6	Nut		
9	941909	6	Spring washer		
10	862623	1	Gasket		
11	955535	8	Screw		MO-160500/243413
	955535	10	Screw		MO16501/243414-
12	942336	8	Spring washer		MO-160500/243413
	942336	10	Spring washer		MO16501/243414-
13	822676	2	Bracket		
14	955536	4	Screw		
15	942336	4	Spring washer		
16	940134	4	Screw		
17	941909	4	Spring washer		
18	844114	1	Oil cooler		
				04A-0650	
19	953043	4	Stud		
20	955782	4	Nut		
21	941907	4	Spring washer		
22	829259	2	Hose		MO-160500/243413
	847165	2	Hose		MO16501/243414-
23	943755	2	Fitting		
24	957184	2	Washer		
25	941331	2	Nut		
26	956970	4	Ferrule		
27	804533	1	Nipple		
28	941750	2	Nipple		
29	956984	2	Nut		
30	824120	1	Bracket		
31	819068	1	Washer		
32	819067	1	Brace		
33	950021	2	Screw		
34	813674	1	Cube		
35	17276	1	Cotter pin		
36	822659	1	Companion flange		
37	955710	6	• Screw		
38	955884	6	• Nut		
39	907849	6	• Cotter pin		
40	17178	1	• Pin		
41	837781	1	Pressure sensor		SEE GROUP 3
42	957181	1	Gasket		
43	842522	1	Nipple		
44	836778	1	Gasket		SEE GROUP 2B
45	836759	1	Hose attachment		SEE GROUP 2B
46		1	CONTROL		SEE GROUP 9
47		1	CONTROL CABLE		SEE GROUP 9