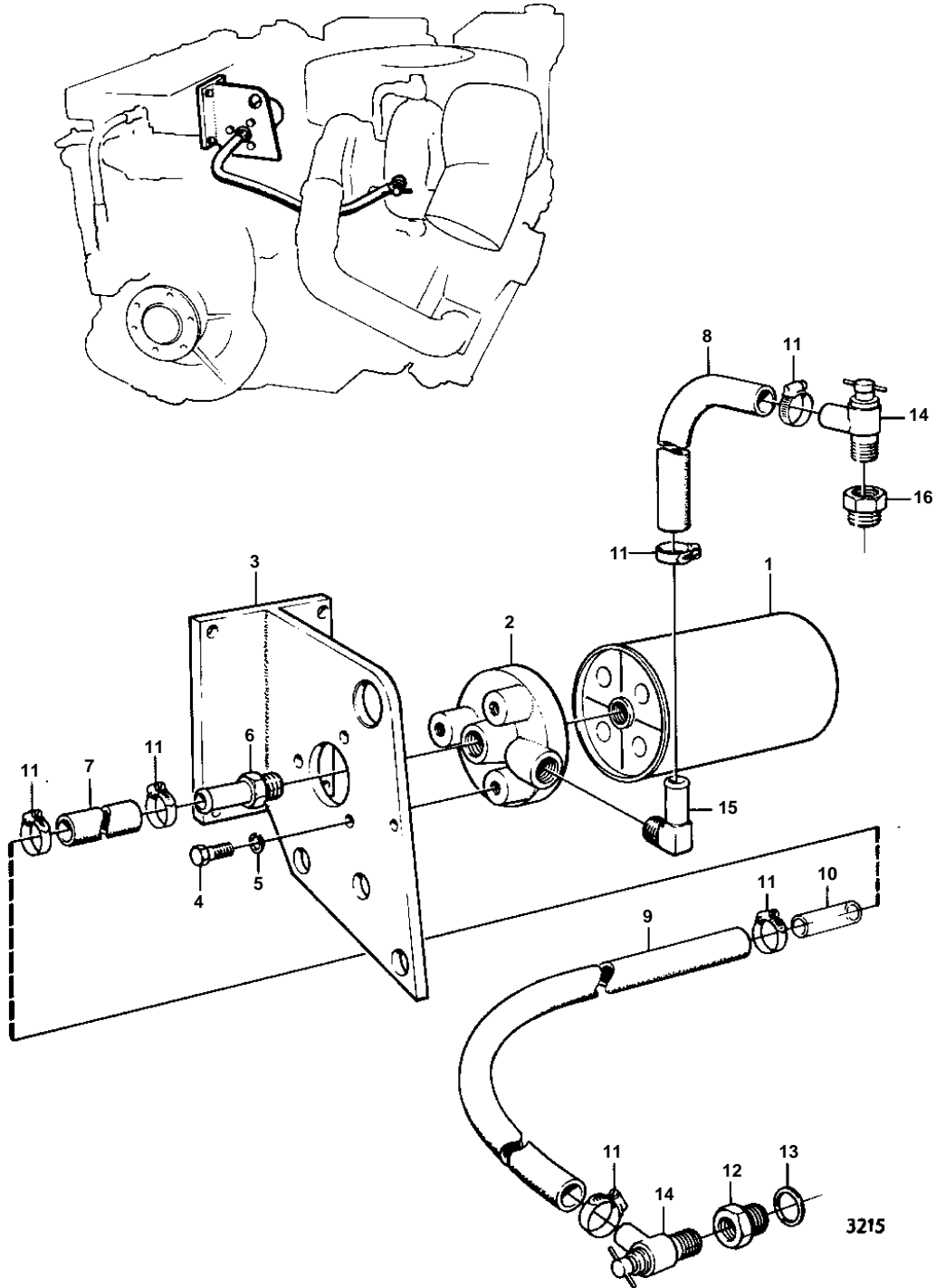


THAMD70B,AQD70BL



THAMD70B,AQD70BL

REF	PART NO.	QTY	DESCRIPTION	NOTES
1	366822	1	Filter	
2	836440	1	Bracket	
3	836636	1	Bracket	SEE GROUP 2A
4	955524	3	Screw	
5	941907	3	Spring washer	
6	961656	1	Nipple	
7	941995	X	Rubber hose	L = 60 MM EARLY TYPE
8	941995	X	Rubber hose	L = 180 MM
9	941995	X	Rubber hose	L = 680 MM
10	365275	1	Flow indicator	EARLY TYPE
11	943472	6	Hose clamp	EARLY TYPE
	943472	4	Hose clamp	LATE TYPE
12	837174	1	Bushing	
13	957185	1	Gasket	
14	365287	2	Tap	
15	961606	1	Elbow nipple	
16	16291	1	Nipple	