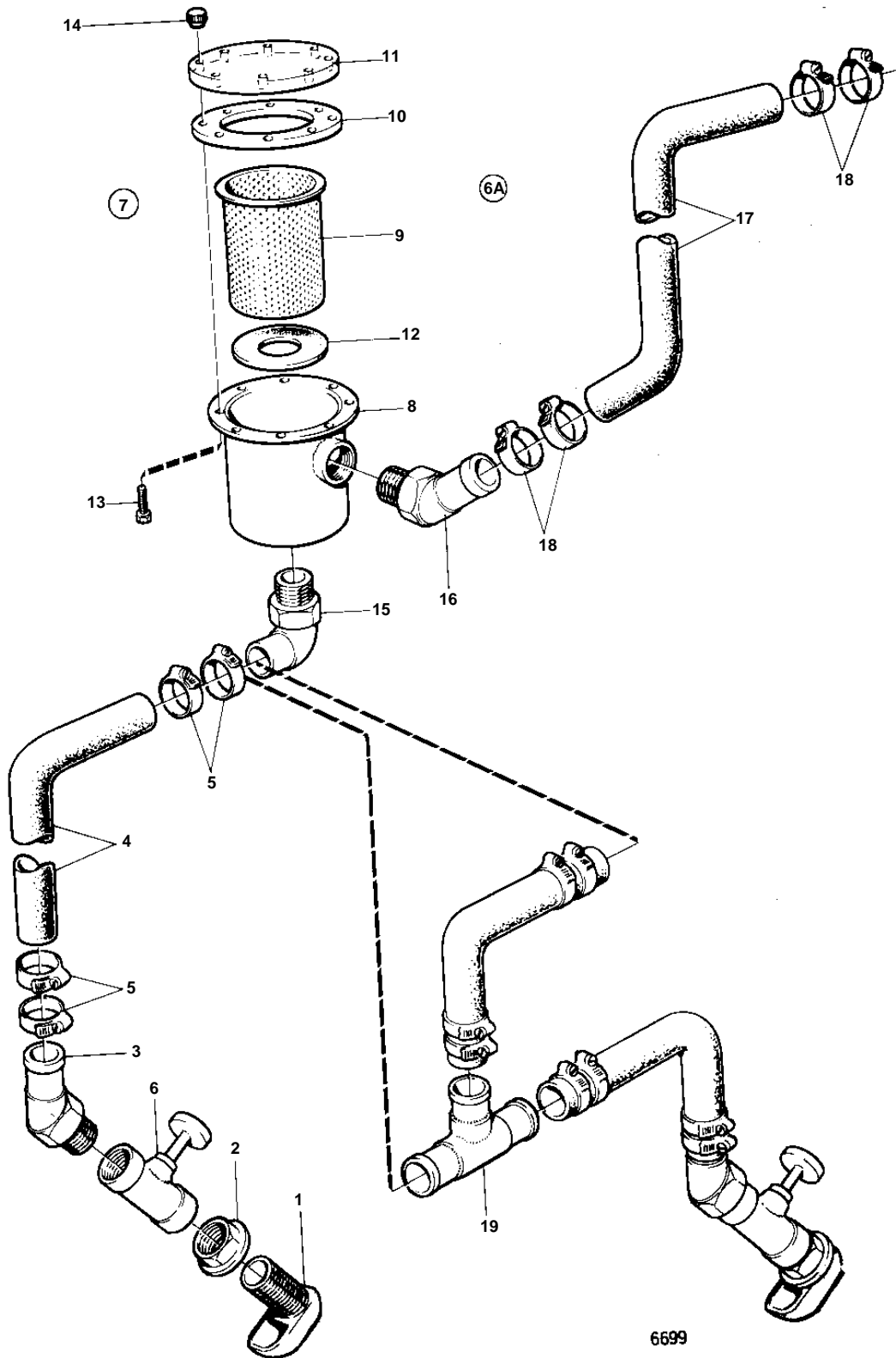


COMMON



6699

# SEA WATER FILTER AND SEA WATER INTAKE

# 090

## COMMON

REF	PART NO.	QTY	DESCRIPTION	NOTES
1	836846	1	Strainer	
2	836847	1	Nut	
3	828692	1	Hose attachment	
4	858471	1	Hose	
5	961672	4	Clamp	
6	828240	1	Valve	
6A	842465	1	Filter	
7	842466	1	· Filter	
8		1	· · HOUSING	
9	843358	1	· · Insert	
10	843360	1	· · Gasket	
11	843359	1	· · Cover	
12	843361	1	· · Gasket	
13	843362	8	· · Screw	
14	843357	8	· · Nut	
15	898683	1	· Hose attachment	
16	828692	1	· Hose attachment	
17	858471	1	· Hose	
18	961672	4	· Clamp	
19	829512	1	T-nipple	USED WHEN TWO SEA WATER INTAKE ARE INSTALLED