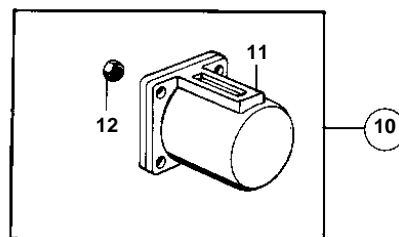
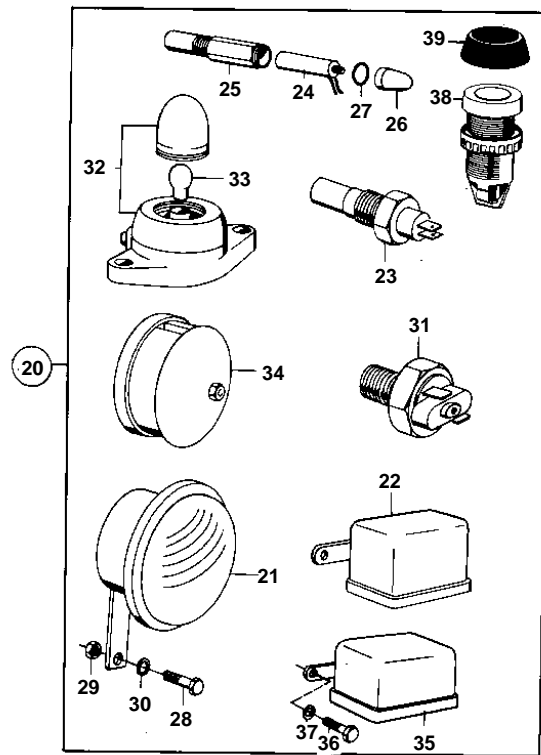
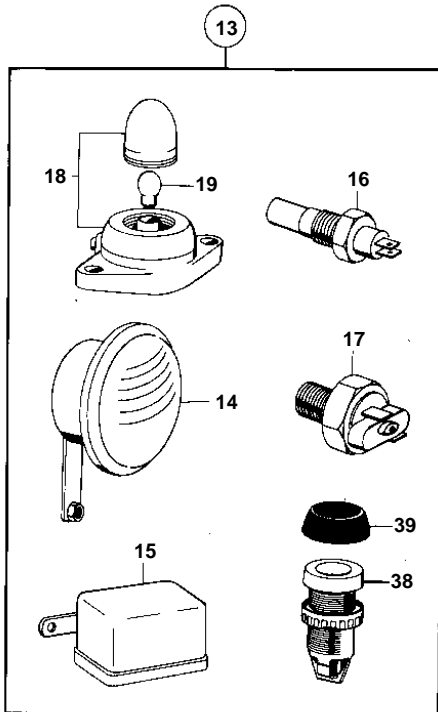
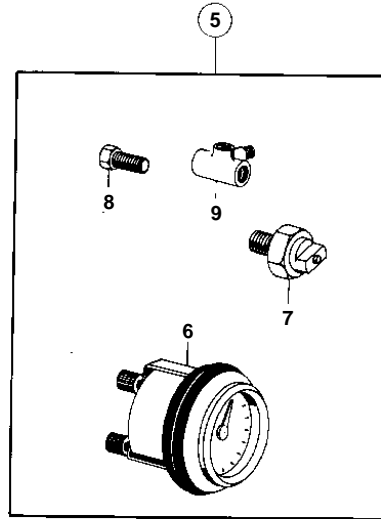
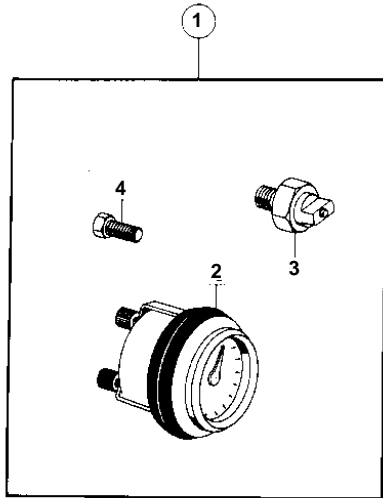


MD70B,TMD70B,TAMD70B,AQD70B,THAMD70B,AQD70BL



HRUR INDICATOR DEVICE , ALARM DEVICE FOR PRESSURE AND TEMPERATURE

090

MD70B,TMD70B,TAMD70B,AQD70B,THAMD70B,AQD70BL

REF	PART NO.	QTY	DESCRIPTION	NOTES
1		1	EL.HOUR INDICATOR DEVICE	12V
2	845479	1	Hour counter	
3	880281	1	Pressure monitor	
4	180002	1	Fitting	
5		1	ELECTRICAL HOUR INDICATING DEVICE	24V
6	844957	1	Hour counter	
7	880281	1	Pressure monitor	
8	180002	1	Fitting	
9	942490	1	T-nipple	
10		1	MECHANICAL HOUR INDICATOR	
11	820554	1	· Hour counter	1500 RPM
	820555	1	· Hour counter	1800 RPM
	820556	1	· Hour counter	2000 RPM
12	325842	1	· Nut	
13		1	ALARM DEVICE FOR OIL PRESSURE AND WATER TEMPERATURE	12V
14	1235449	1	· Horn	
15	239482	1	· Relay	
16	822858	1	· Thermo monitor	
17	848367	1	Pressure switch	STOP
18	846674	1	· Bulb socket	LATE TYPE
19	19903	1	· Bulb	12V EARLIER PROD
	846672	1	· Bulb	12V 5W LATER PROD
20		1	ALARM DEVICE FOR OIL PRESSURE AND WATER TEMPERATURE	24V
21	850420	1	· Horn	
22	239483	1	· Relay	0 332 003 012
23	822858	1	· Thermo monitor	
24	880778	1	· Thermo monitor	
25	898739	1	· Protecting sleeve	
26	898740	1	· Cover	
27	925057	1	· Rubber ring	
28	955535	1	· Screw	
29	955827	1	· Nut	
30	942336	1	· Spring washer	
31	848367	1	Pressure switch	STOP
32	846674	1	· Bulb socket	LATE TYPE
33	182006	1	· Bulb	24V EARLIER PROD
	846673	1	· Bulb	24V 5W LATER PROD
34	823214	1	· Bell	
35	870451	1	· Relay	0 332 200 014
36	950019	2	· Screw	
37	941905	2	· Spring washer	
38	881000	1	Push button	
39	827596	1	Protecting cap	