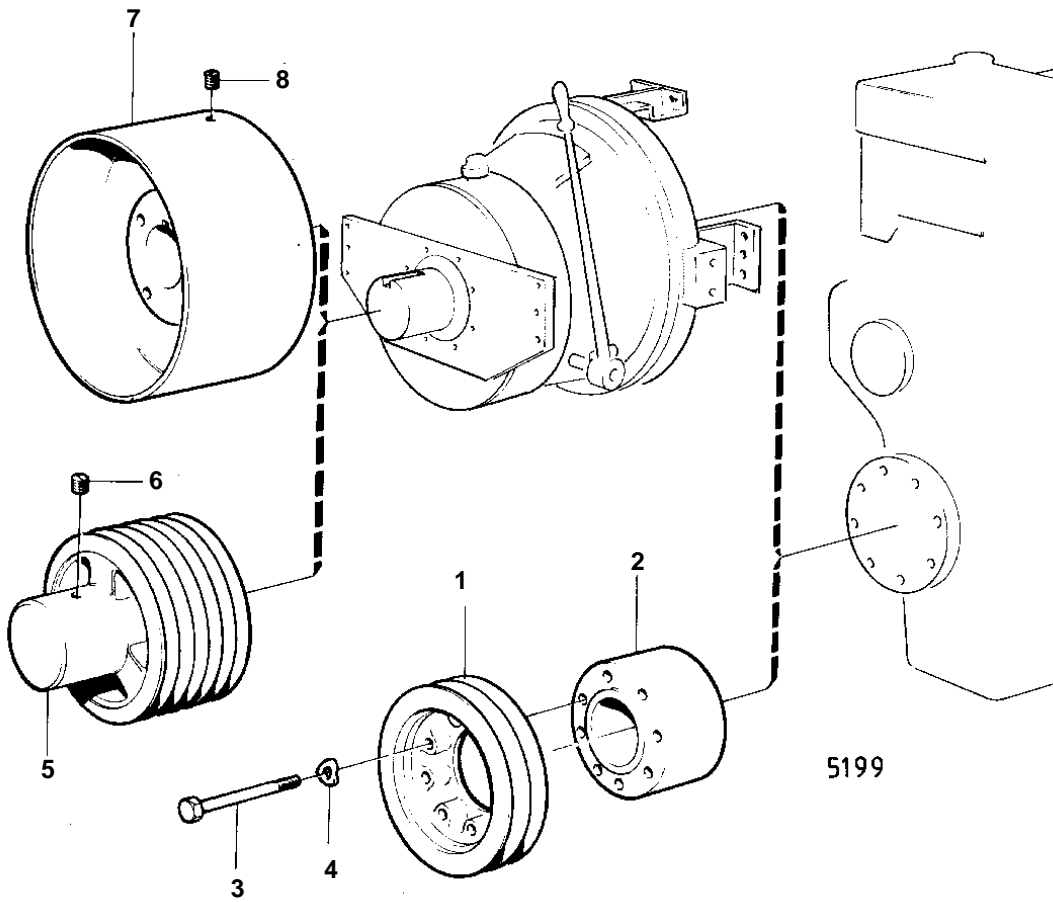


MD70B,TMD70B,TAMD70B,AQD70B,THAMD70B,AQD70BL



MD70B,TMD70B,TAMD70B,AQD70B,THAMD70B,AQD70BL

REF	PART NO.	QTY	DESCRIPTION	NOTES
1	823595	1	Pulley	
	823641	1	Pulley	
2	823642	1	Spacer ring	
3	959803	6	Screw	L = 114 MM MD70B
	959806	8	Screw	L = 152 MM
4	941909	6	Spring washer	MD70B
	941909	8	Spring washer	
5	803689	1	Pulley	
6	915602	1	Screw	
7	803796	1	Pulley	D = 250 MM
	804621	1	Pulley	D = 300 MM
	804664	1	Pulley	D = 350 MM
8	915605	1	Set screw	