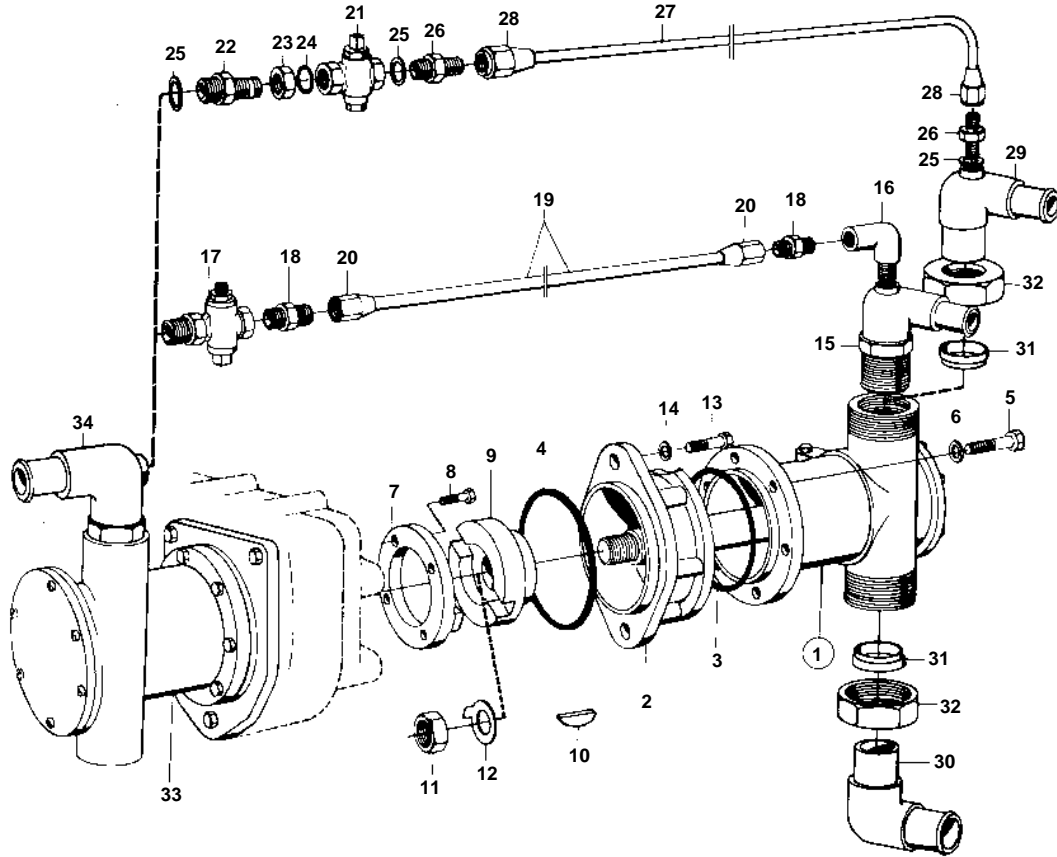


MD70B,TMD70B,TAMD70B,AQD70B



3708

MD70B,TMD70B,TAMD70B,AQD70B

REF	PART NO.	QTY	DESCRIPTION	SEE SEC.	NOTES
1	822459	1			MO-XXXX/11043
				090-0200	
	837371	1	Bilge pump		MOXXXX/11044-
				090-0200	
2	820833	1	Intermediate section		
3	925095	1	O-ring	IK	
4	420213	1	Seal		
5	940115	3	Screw		
6	942336	3	Spring washer		
7	821071	1	Companion flange		
8	955513	4	Screw		
9	820960	1	Dog clutch		
10	942406	1	Key		
11	955860	1	Nut		
12	942735	1	Lock washer		
13	940115	2	Screw		
14	942336	2	Spring washer		
15	942335	1	Hose attachment		MO-XXXX/11043.
16	803809	1	Nipple		MO-XXXX/11043.
17	803808	1	Tap		MO-XXXX/11043.
18	954337	2	Nipple		MO-XXXX/11043.
19	954307	X	Copper tube		L = 250 MM. MO-XXXX/11043.
20	954323	2	Cap nut		MO-XXXX/11043.
21	837375	1	Tap		MOXXXX/11044-.
22	828003	1	Nipple		MOXXXX/11044-.
23	828004	1	Nut		MOXXXX/11044-.
24	960162	1	O-ring		MOXXXX/11044-.
25	907133	3	Washer		MOXXXX/11044-.
26	828005	2	Nipple		MOXXXX/11044-.
27	954307	X	Copper tube		L = 460 MM. MOXXXX/11044-.
28	954323	2	Cap nut		MOXXXX/11044-.
29	837272	1	Anchorage		MOXXXX/11044-.
30	837274	1	Anchorage		MOXXXX/11044-.
31	807957	2	Sealing ring		MOXXXX/11044-.
32	6606324	2	Nut		MOXXXX/11044-.
33		1	SEA WATER PUMP		SEE GROUP 2B
34		1	ELBOW NIPPLE		SEE GROUP 2B