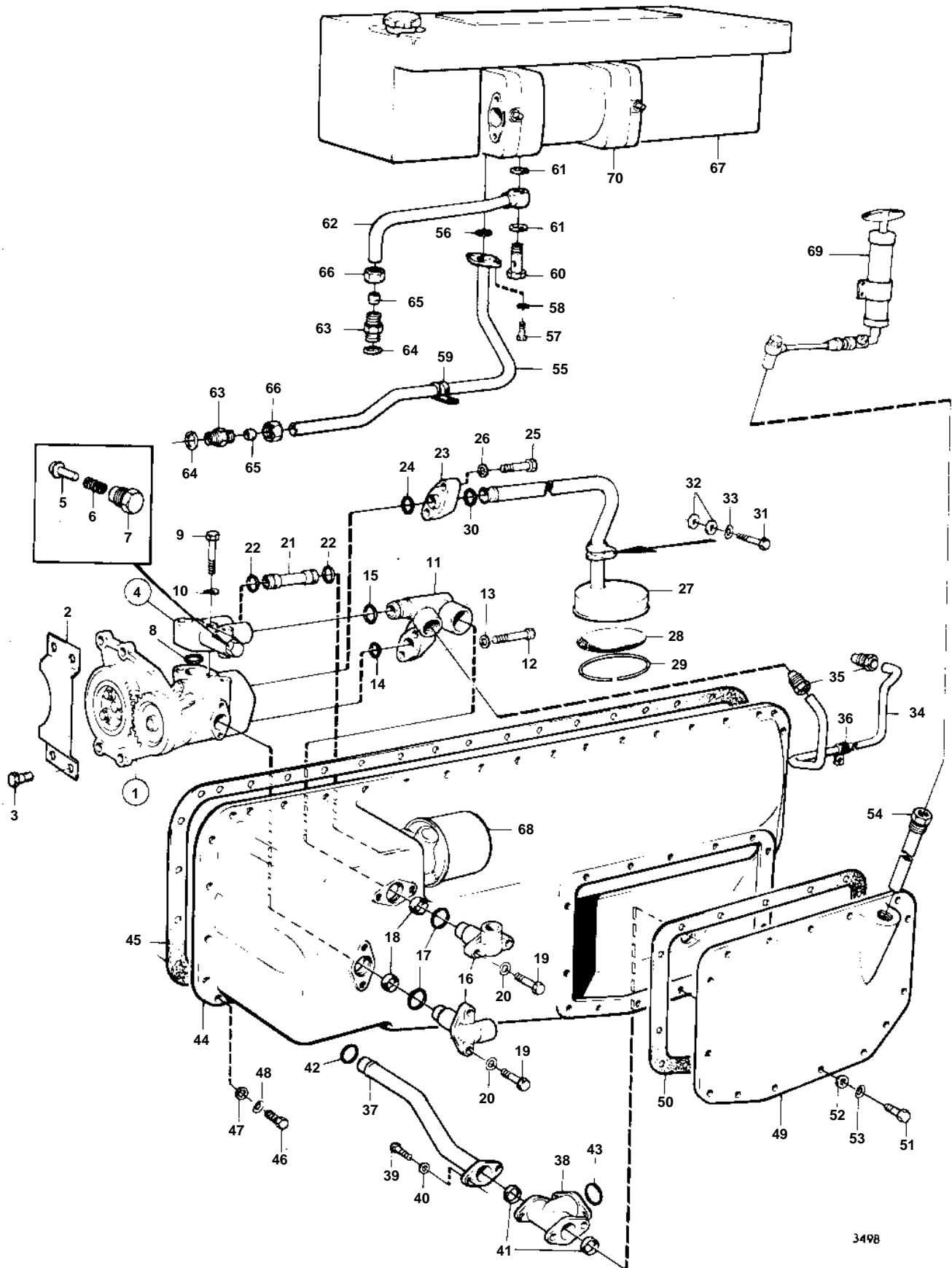


THAMD70B,AQD70BL



3498

THAMD70B,AQD70BL

REF	PART NO.	QTY	DESCRIPTION	SEE SEC.	NOTES
1	471057	1	Oil pump		
				02A-2000	
2	421404	1	Baffle		
3	955538	4	Screw		
4	471042	1	Valve		
5	471115	1	· Reducing valve		
6	471111	1	· Spring		
7	471117	1	· Plug		
8	469482	1	O-ring	IK	
9	955527	3	Screw		
10	941907	3	Spring washer		
11	471087	1	Pipe connection		
12	190490	2	Screw		
13	955894	2	Washer		
14	469482	1	O-ring	IK	
15	925058	1	O-ring	IK	
16	471078	2	Riser		
17	925059	2	O-ring	IK	
18	469952	2	Sealing ring	IK	
19	940159	4	Screw		
20	941907	4	Spring washer		
21	471024	1	Oil pipe		
22	925058	2	O-ring	IK	
23	471052	1	Flange		
24	925060	1	O-ring	IK	
25	190490	2	Screw		
26	955894	2	Washer		
27	471030	1	Tube		
28	403483	1	Wire gauze		
29	118123	1	Lock ring		
30	469482	1	O-ring	IK	
31	955531	1	Screw		
32	955894	2	Washer		
33	941907	1	Spring washer		
34	842382	1	Tube		
35	466905	2	Fitting		
36	944657	2	Clamp		
37	471047	1	Tube		
38	471050	1	Housing		
39	955533	2	Screw		
40	941907	2	Spring washer		
41	471045	2	Sealing ring	IK	
42	421158	1	Sealing ring	IK	02A-0450
43	469482	1	O-ring		
44	471020	1	Crankcase		
45	471028	1	Gasket	IK	
46	940159	35	Screw		
47	955894	35	Washer		
48	941907	35	Spring washer		
49	471026	1	Hatch		
50	471027	1	Gasket	IK	
51	940159	15	Screw		
52	955894	15	Washer		
53	941907	15	Spring washer		
54	836406	1	Tube		
55	836776	1	Tube		
56	925059	1	O-ring	IK	
57	955525	2	Screw		
58	941907	2	Spring washer		
59	952632	1	Clamp		EARLY TYPE
60	191929	1	Hollow screw		
61	957185	2	Gasket		
62	836777	1	Tube		

