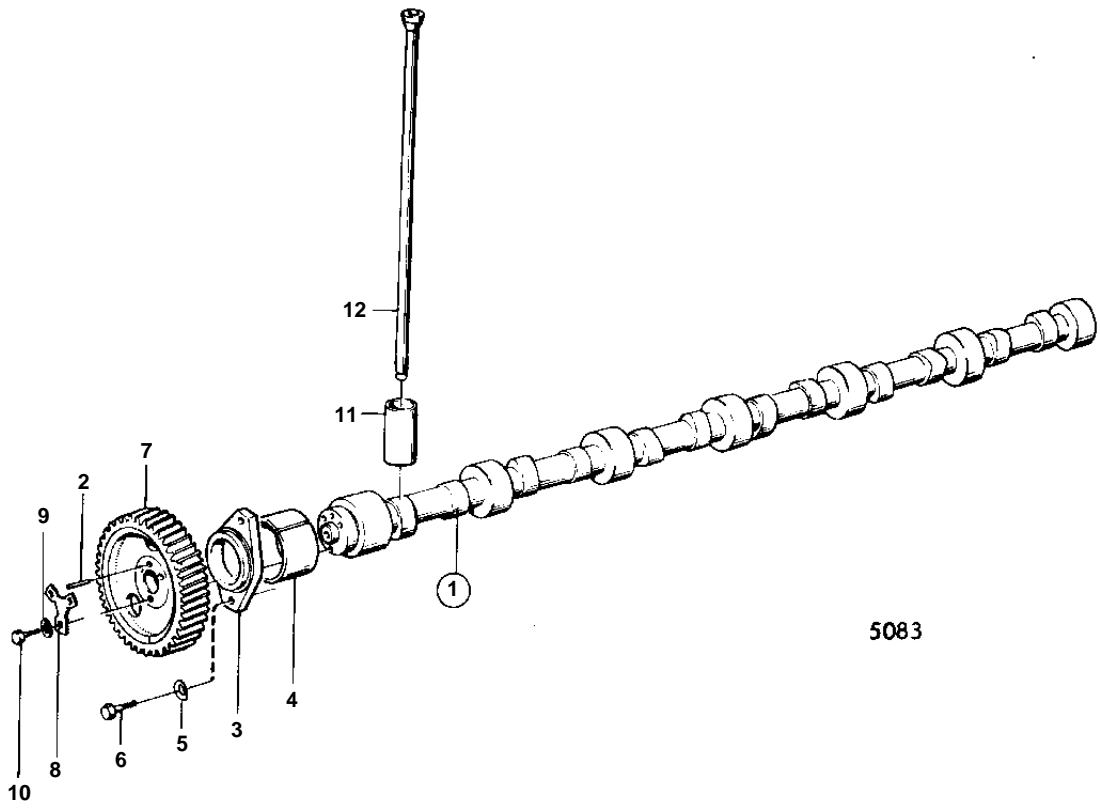


THAMD70B,AQD70BL



5083

THAMD70B,AQD70BL

REF	PART NO.	QTY	DESCRIPTION	SEE SEC.	NOTES
1	421446	1	Camshaft		
2	950588	1	• Pin		
3	469324	1	Flange		
4		7	BUSHING		INCL.IN CYLINDERBLOCK.
5	942336	2	Spring washer		
6	940115	2	Screw		
7	421079	1	Gear	02A-1200	
8	467052	1	Lock washer	02A-1200	
9	467055	3	Washer	02A-1200	
10	940128	3	Screw	02A-1200	
11	471037	12	Tappet		
12	421385	12	Push rod		