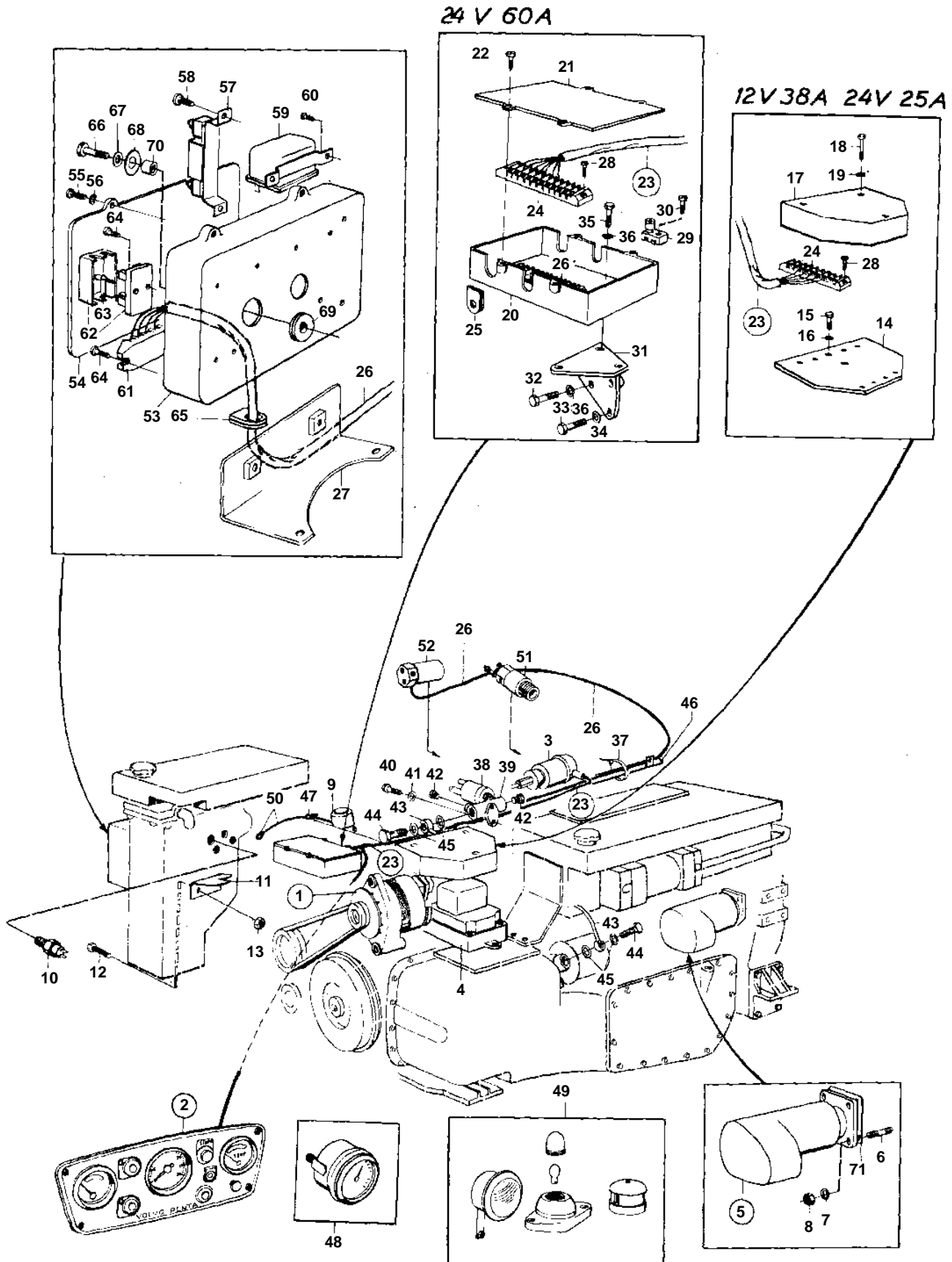


THAMD70B,AQD70BL.



THAMD70B,AQD70BL.

REF	PART NO.	QTY	DESCRIPTION	SEE SEC.	NOTES
1		1	ALTERNATOR AND INSTALLATION COMPONENTS		12V 38A,24V 25A
				030-0850	
		1	ALTERNATOR AND INSTALLATION COMPONENTS		24V 60A
				030-1100	
2	837365	1	Instrument panel		12V
				030-1800	
	837366	1	Instrument panel		24V
				030-1800	
3		1	STOP SOLENOID AND INSTALLATION COMPONENTS		SEE GROUP 2D
4		1	CHARGING RELAY AND INSTALLATION COMPONENTS		12V 38A,24V 25A
				030-0850	
	823766	1	Charge regulator		24V60A
				030-1350	
5	240501	1			12V
				030-1400	
	842775	1			12V
				030-1400	
	843511	1	Starter motor		12V
				030-1450	
	842774	1	Starter motor		24V. REPLACED BY 843510.
				030-1400	
	847306	1	Starter motor		12V LATER PROD
				030-1515	
	843510	1	Starter motor		24V
				030-1450	
	847307	1	Starter motor		24V LATER PROD
				030-1525	
6	953486	3	Stud		
7	942336	3	Spring washer		
8	955827	3	Nut		
9	1507899	1	Tachometer sensor		
10	827150	1	Temperature sensor		
11	837279	1	Protecting plate		
12	955523	2	Screw		
13	955826	2	Nut		
14	836726	1			
15	955523	2	Screw		
16	941907	2	Spring washer		
17	824384	1	Protecting casing		
18	950052	3	Screw		
19	941906	3	Spring washer		
20	823616	1	Clutch housing		
21	823617	1	Cover		
22	950047	4	Screw		
23	837191	1	Cable trunk		12V38A,24V25
	837190	1	Cable trunk		24V60A
24	942558	2	· Terminal block		12V38A,24V25
	942661	2	· Terminal block		24V60A
25	823759	3	· Cable grommet		
26	837368	1	Cable trunk		MO-XXXX/12779
	842228	1	Cable trunk		MOXXXX/12780-
27	842226	1	Bracket		MOXXXX/12780-
28	950011	4	Screw		
29	823767	4	Terminal block		
30	950004	4	Screw		
31	836829	1	Bracket		
32	955528	2	Screw		
33	955554	1	Screw		
34	941909	1	Spring washer		
35	940135	3	Screw		
36	941907	5	Spring washer		
37	948210	X	Strip clamp		

THAMD70B,AQD70BL.

REF	PART NO.	QTY	DESCRIPTION	SEE SEC.	NOTES
38	881432	1	Pressure sensor		
39	836927	1	Pipe connection		
40	955525	2	Screw		
41	941907	2	Spring washer		
42	191026	2	Plug		
43	836860	1	Pressure oil line		SEE GROUP 2A
44	48634	2	Hollow screw		SEE GROUP 2A
45	907132	4	Gasket		SEE GROUP 2A
46		1	CABLE HOLDERS		
47	942400	1	Clamp		
48		1	HOUR INDICATING DEVICE		SEE GROUP 9
49		1	ALARM DEVICE FOR PRESSURE AND TEMP.		SEE GROUP 9
50		X	CABLES AND TERMINALS	030-1950	
51	837329	1	Glow plug		12V SEE GROUP 2C
	837330	1	Glow plug		24V SEE GROUP 2C
52	837327	1	Solenoid valve		12V SEE GROUP 2C
	837328	1	Solenoid valve		24V SEE GROUP 2C
53	837335	1	Clutch housing		
54	823617	1	Cover		
55	950047	4	Screw		
56	941906	4	Spring washer		
57	844486	1	Timer relay		12V
	837344	1	Resistor		24V
58	950044	2	Screw		
59	870670	3	Relay		12V
	870451	3	Relay		24V
60	950008	4	Screw		
61	942558	1	Terminal block		
62	88578	1	Fuse box		
63	943905	2	Fuse		25A
64	950011	4	Screw		
65	823759	2	Cable grommet		
66	956571	2	Screw		
67	941907	2	Spring washer		
68	960141	2	Washer		
69	837369	2	Bushing		
70	837372	2	Spacer sleeve		
71		1	PLATE		EARLY TYPE