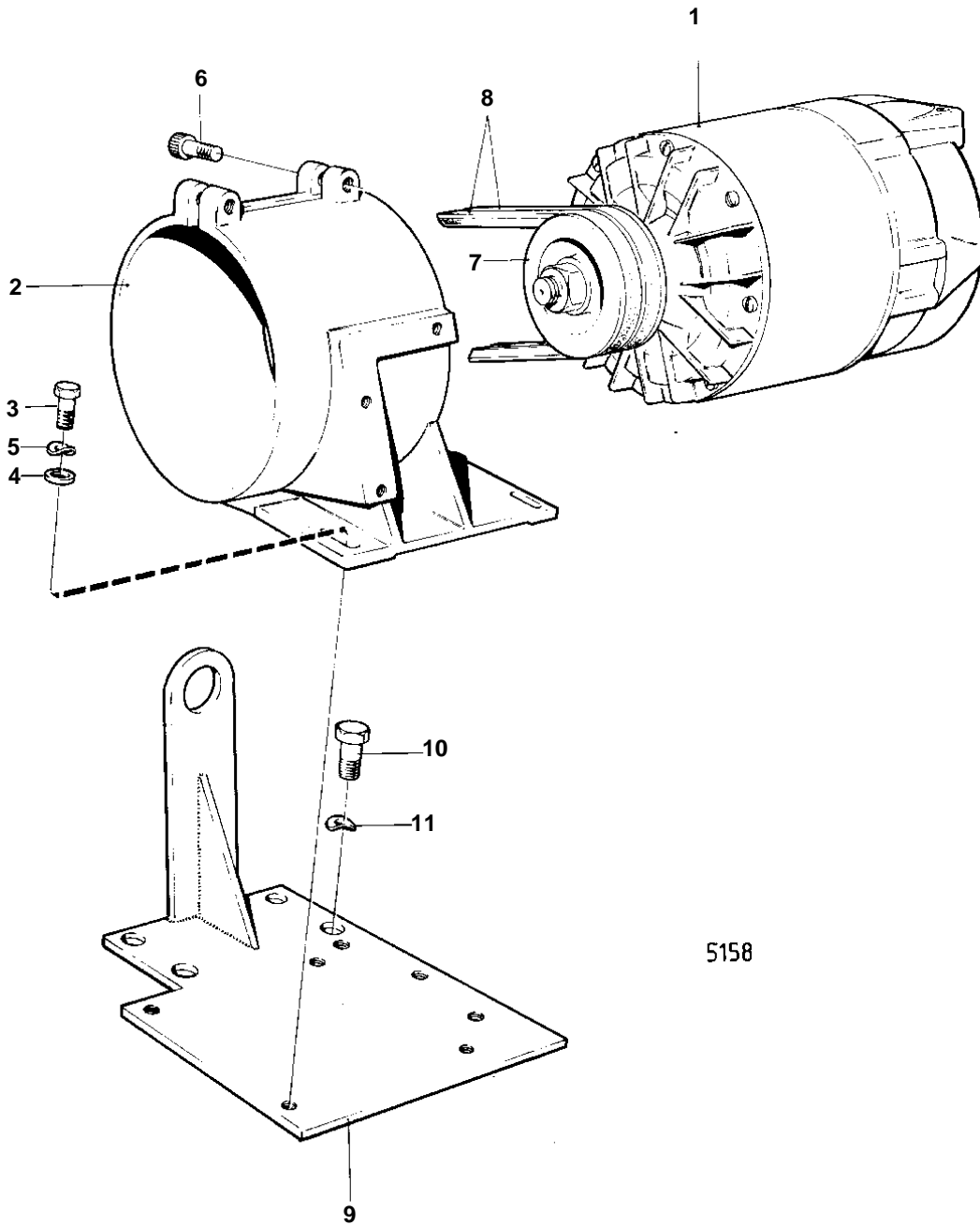


THAMD70B,HQD70BL



5158

THAMD70B,HQD70BL

REF	PART NO.	QTY	DESCRIPTION	SEE SEC.	NOTES
1	823765	1	Alternator		24V 60A
				030-1300	
2	837927	1	Bracket		
3	955525	4	Screw		
4	955894	4	Washer		
5	941907	4	Spring washer		
6	956586	2	Screw		
7	823428	1	Pulley		
8	958363	1	V-belt set		
9	836674	1	Bracket		
10	955562	2	Screw		L = 38 MM
	955566	2	Screw		L = 64 MM
11	940280	4	Spring washer		