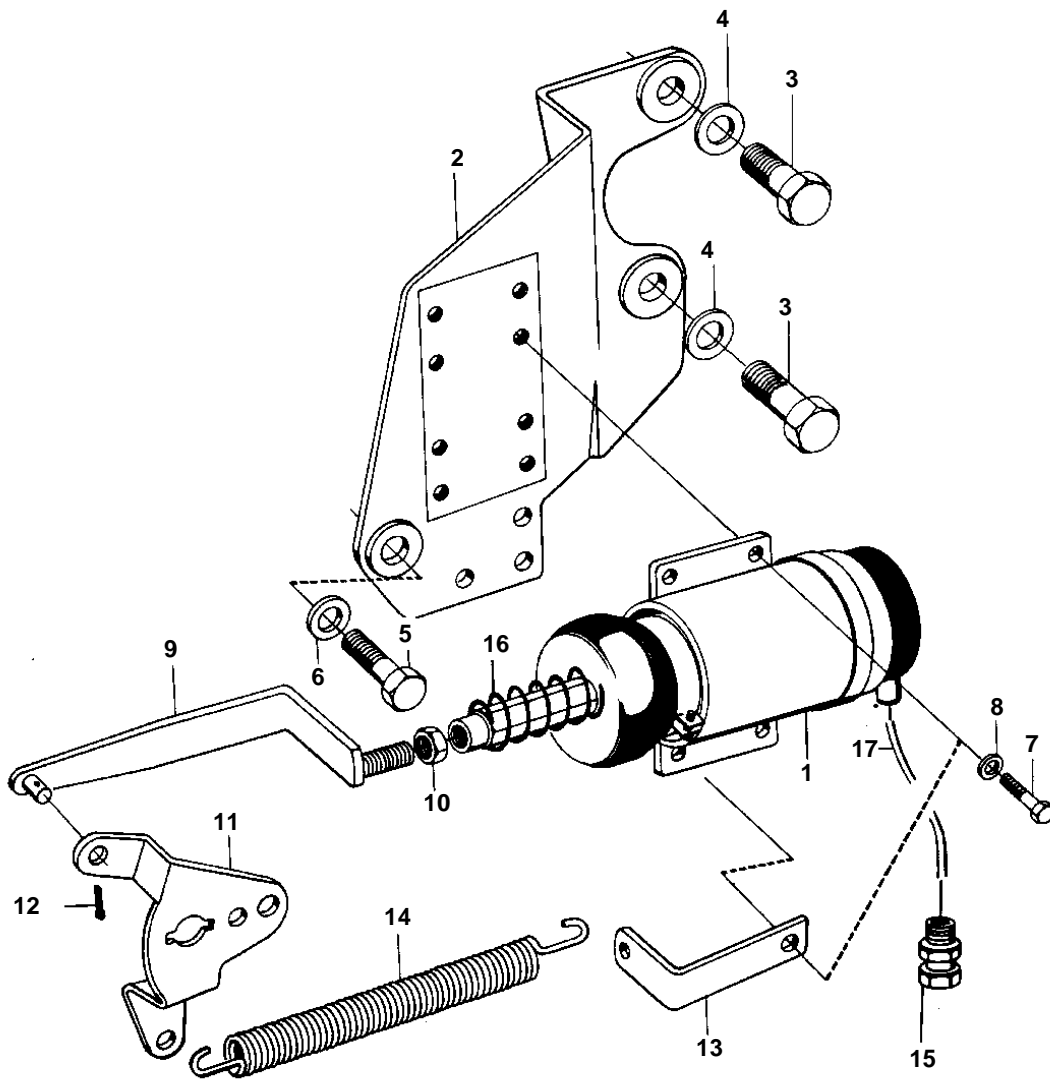


MD70B,TMD70B,TAMD70B,AQD70B



5116

MD70B,TMD70B,TAMD70B,AQD70B

REF	PART NO.	QTY	DESCRIPTION	NOTES
1	881531	1	Stop solenoid	12VMOXXXX/27511-
2	846171	1	Bracket	
3	955561	2	Screw	
4	940280	2	Spring washer	
5	955536	1	Screw	
6	942336	1	Spring washer	
7	955512	4	Screw	
8	941906	4	Spring washer	
9	836415	1	Pull rod	
10	955857	1	Nut	
11	848677	1	Lever	
12	907824	1	Cotter pin	
13	836417	1	Bracket	MO-XXXX/27510
14	819809	1	Tension spring	MO-XXXX/27510
15	881191	1	Cable union	MOXXXX/27511-
16	843401	1	Return spring	MOXXXX/27511
17		X	CABLES AND TERMINALS NSTALLATION	SEE GROUP 3