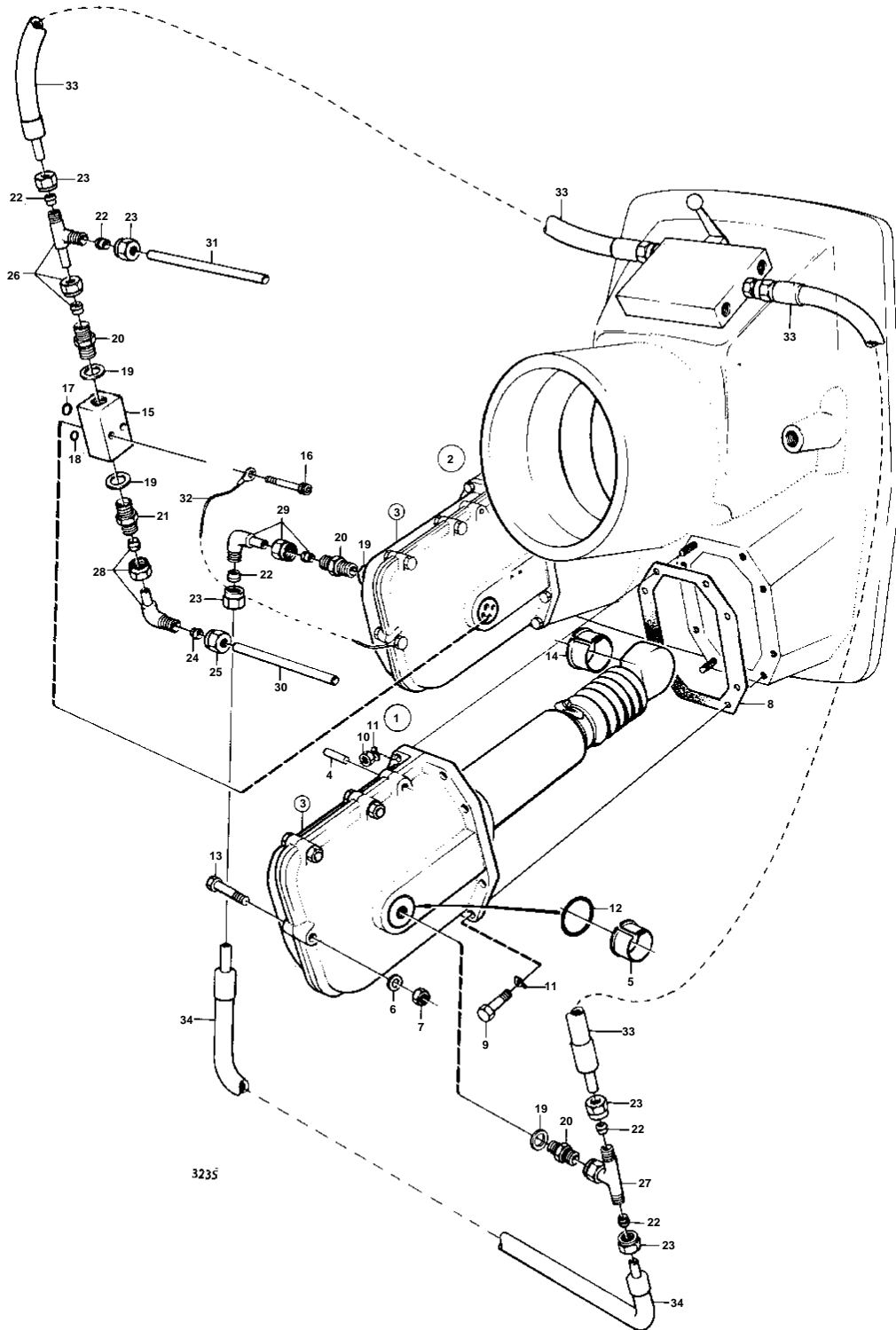


AQD70B,AQD70BL,AQD70CL,AQD70



AQD70B,AQD70BL,AQD70CL,AQD70

REF	PART NO.	QTY	DESCRIPTION	SEE SEC.	NOTES
1	832376	1	Lifting cylinder		
				04A-1050	
2	832245	1	Lifting cylinder		S.B
				04A-1050	
3	832392	2	Cover		
4	950570	4	· Pin		
5	832340	4	· Bushing		
6	955894	10	Washer		
7	955826	10	Nut		
8	832341	2	Gasket		
9	959969	12	Screw		
10	943152	4	Nut		
11	942336	16	Spring washer		
12	945093	4	O-ring		
13	959953	10	Screw		
14	832262	2	Bushing		
15	832377	2	Coupling piece		
16	956572	4	Screw		
17	955980	2	O-ring		
18	960202	2	O-ring		
19	943907	6	Gasket		
20	957030	4	Fitting		
21	945355	2	Fitting		
22	956969	6	Ferrule		
23	956983	6	Nut		
24	956967	2	Fitting		
25	941521	2	Nut		
26	944262	1	Clutch		
27	944525	1	Clutch		
28	945356	2	Clutch		
29	945357	2	Elbow union		
	945357	3	Elbow union		FOR AQD70B SPEC 867167, AQD70C SPEC 867224, AQD70CL SPEC 867266.
30	832378	1	Tube		
31	832379	1	Tube		
32		X	CABLES AND TERMINALS		SEE GROUP 3
33	832380	2	Hose, HOSE	04A-0900	
					L = 600 MM
	832380	1	Hose, HOSE		L = 600 MM. FOR AQD70B SPEC 867167, AQD70C SPEC 867224, AQD70CL SPEC 867266.
				04A-0900	
34	832381	1	Hose, HOSE	04A-0900	
					L = 750 MM
	832381	2	Hose, HOSE		L = 750 MM. FOR AQD70B SPEC 867167, AQD70C SPEC 867224, AQD70CL SPEC 867266.
				04A-0900	