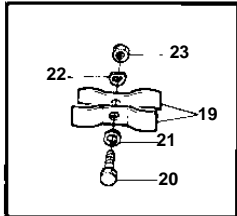
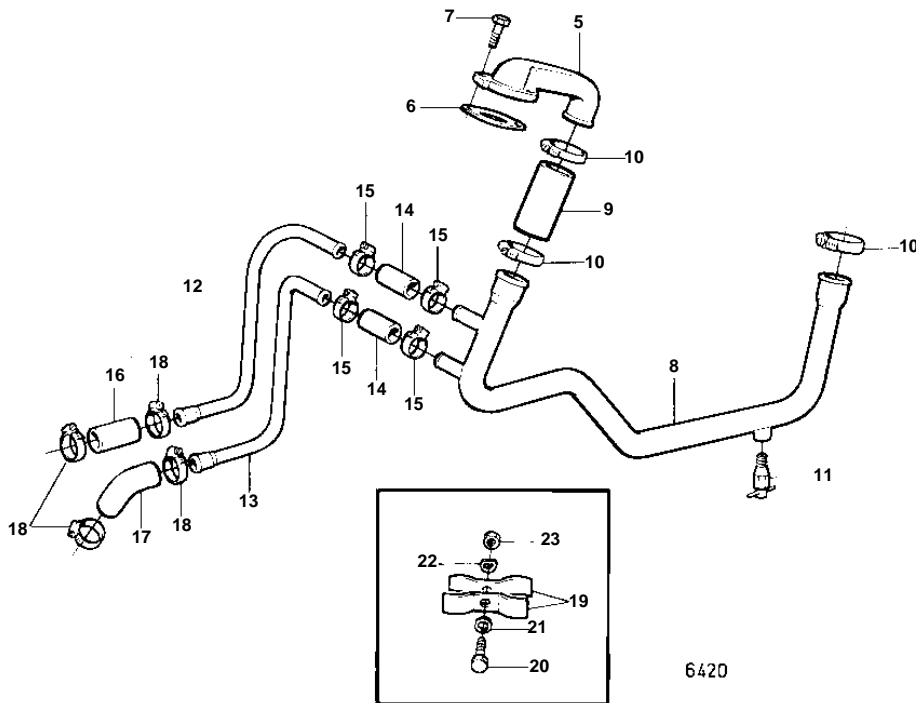
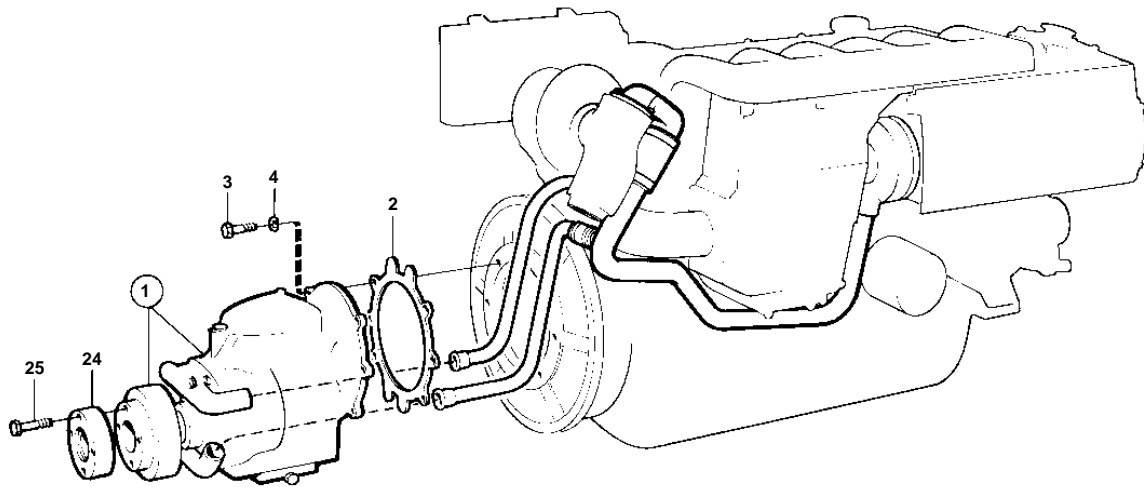


TMD40B, TMD40C



6420

TMD40B,TMD40C

REF	PART NO.	QTY	DESCRIPTION	SEE SEC.	NOTES
1	852102	1	Reversing gear		
		X	· COMPONENTS		SEE GROUP 4B
	852502	1	Reversing gear		MS3C, MO29165-. REPLACED BY REVERSE GEAR-853398 AND CONNECTION KIT-853772
			Bulletin 48-03	48-03-EN	Reverse Gear
1		X	· COMPONENTS		SEE GROUP 4B
	852503	1	Reversing gear		MS3C, MO29165-. REPLACED BY REVERSE GEAR-853399 AND CONNECTION KIT-853772
			Bulletin 48-03	48-03-EN	Reverse Gear
1		X	· COMPONENTS		SEE GROUP 4B
2	803921	1	Gasket		
3	955319	6	Screw		
4	941908	6	Spring washer		
5	845528	1	Connector		
6	845527	1	Gasket	IK	
7	959219	2	Screw		
8	838304	1	Coolant pipe		SEE GROUP 2B
9	858471	X	Hose		(952976) L = 70 MM
10	961670	3	Hose clamp		
11	82745	1	Tap		
12	845841	1	Coolant pipe		
13	845842	1	Coolant pipe		
14	941799	X	Hose		L = 2X65 MM
15	943475	4	Hose clamp		
16	949315	X	Hose		L = 70 MM
17	845792	1	Rubber hook		
18	943476	4	Hose clamp		
19	468684	2	Attaching plate		
20	940132	1	Screw		
21	955894	1	Washer		
22	941907	1	Spring washer		
23	963106	1	Nut		
24	852611	1	Adapter		WHEN EXCHANGING REVERSE GEAR MS3B TO MS3C.
25	955699	4	Screw		WHEN EXCHANGING REVERSE GEAR MS3B TO MS3C.