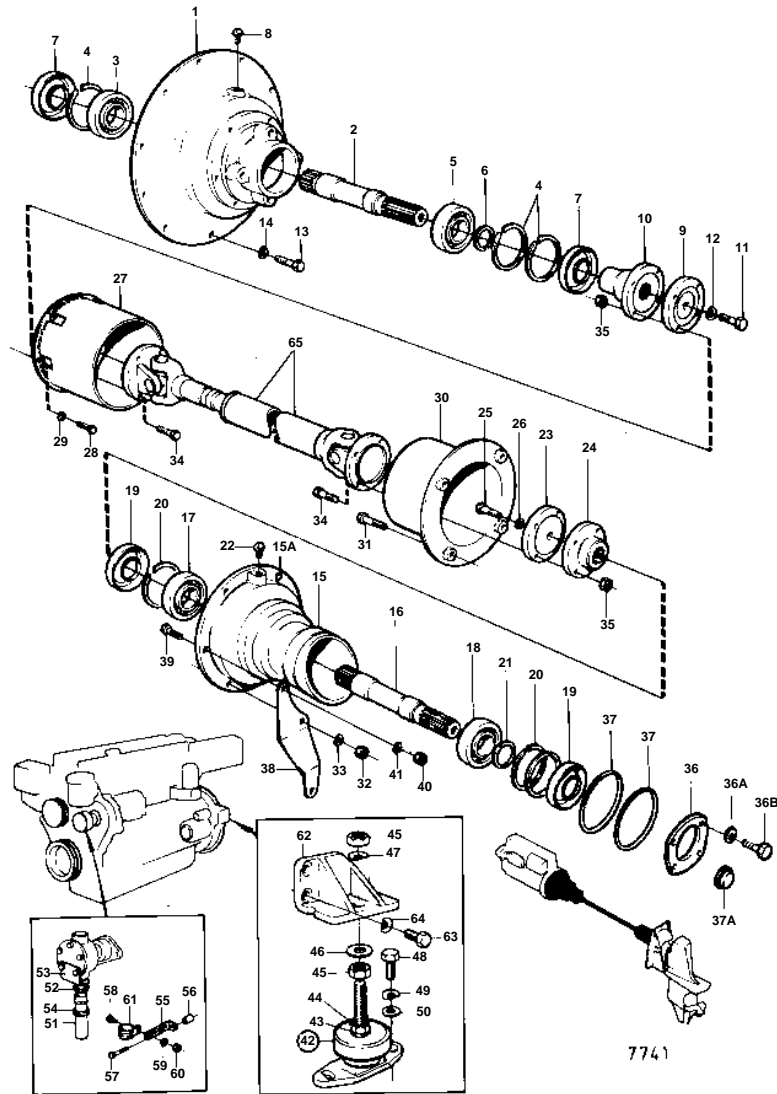


AQAD40B



## AQAD40B

REF	PART NO.	QTY	DESCRIPTION	SEE SEC.	NOTES
1	838479	1	Flywheel housing		
2	838424	1	Shaft		
3	181105	1	Ball bearing		
4	914533	3	Snap ring		
5	11013	1	Ball bearing		
6	914462	1	Lock ring		
7	958860	2	Sealing ring		
8	804262	1	Plug		
9	838423	1	Spacer flange		
10	838474	1	Clutch flange		
11	955318	1	Screw		
12	942336	1	Spring washer		
13	955319	11	Screw		
14	941908	11	Spring washer		
15	839482	1	Intermediate section		
15A	956375	6	· Thread insert		
16	838424	1	Shaft		
17	181105	1	Ball bearing		
18	11013	1	Ball bearing		
19	958860	1	Sealing ring		
20	914533	3	Snap ring		
21	914462	1	Lock ring		
22	804262	1	Plug		
23	838423	1	Spacer flange		
24	838422	1	Clutch flange		
25	955318	1	Screw		
26	942336	1	Spring washer		
27	838475	1	Protecting casing		
28	955535	6	Screw		
29	942336	6	Spring washer		
30	838421	1	Protecting casing		
31	955549	4	Screw		
32	940157	4	Nut		
33	941909	4	Spring washer		
34	945997	8	Screw		
35	945989	8	Nut		
36	838934	1	Flange		
36A	941908	4	Spring washer		
36B	955315	4	Screw		
37	858464	2	Rubber ring		
38	838935	1	Bracket		P
38	838936	1	Bracket		S.B
39	940134	2	Screw		
40	940157	2	Nut		
41	941909	2	Spring washer		
42	829976	4	Rubber element		
			Bulletin 44-26	44-26-EN	Reinforced Rubber Cushion
43	955900	4	· Washer		
44	829567	4	· Adjuster screw		
45	955805	8	Nut		
46	191940	8	Washer		
47	829892	16	Lock washer		
48	955321	8	Screw		
49	941908	8	Spring washer		
50	960148	8	Washer		
51	845357	1	Coolant pipe		
52	845354	1	Sealing ring		
53	845961	1	Lock brace		
54	838554	1	Retainer		

## AQAD40B

REF	PART NO.	QTY	DESCRIPTION	SEE SEC.	NOTES
55	965561	1	Bracket		
56	842350	1	Spacer sleeve		
57	955300	1	Screw		
58	955271	1	Screw		
59	955892	1	Washer		
60	955781	1	Nut		
61	952641	1	Clamp		
62	829515	1	Bracket		P
	829516	1	Bracket		S.B
63	955341	6	Screw		
64	940143	6	Lock washer		
65		X	UNIVERSAL JOINT SHAFT		