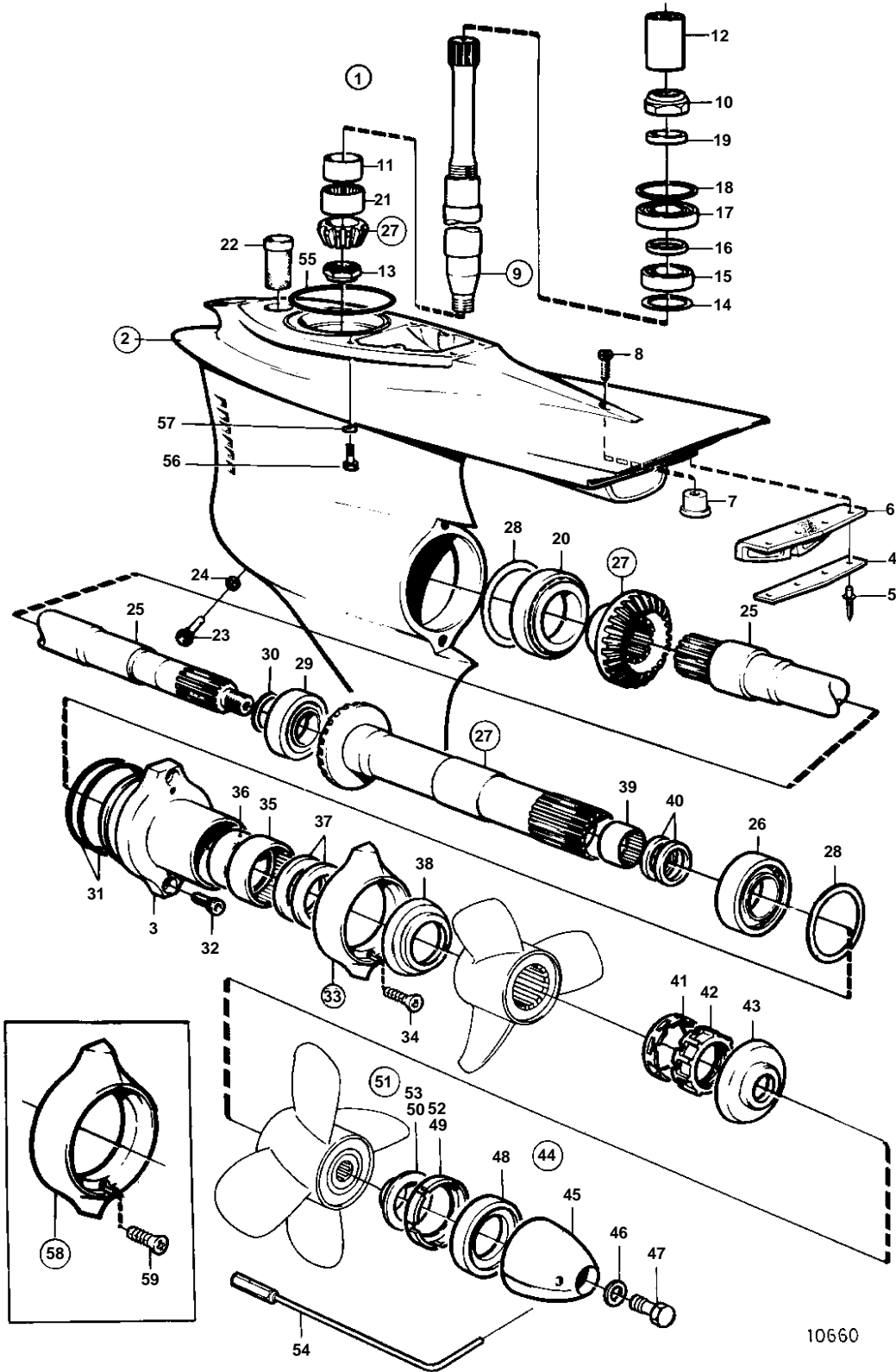


DRIVE DP-D



DRIVE DP-D

REF	PART NO.	QTY	DESCRIPTION	SEE SEC.	NOTES
1	872767	1	Gear under		RATIO 2,30:1. ALSO AVAILABLE AS AN EXCHANGE PART.
	3803186	1	Gear under, exchange		Exchange unit
2	872307	1	· Gear housing		
3	854053	1	· · Bearing housing		
4	872439	1	· · Attaching plate		
5	977711	4	· · Pop rivet		
6	872438	1	· · Check valve		
9	854611	1	· Intermedi.shaft kit		
10	969071	1	· · Round nut	IK	
11	184682	1	· · Cone		
12	854553	1	· · Splined sleeve		
			· · Bulletin P-44-1-6	P-44-1-6-EN	Lower Gear Unit
13	852212	1	· Nut	IK	
14	941832	X	· Adjusting washer		TH = 0,05 MM
	941833	X	· Adjusting washer		TH = 0,20 MM
15	183374	1	· Ball bearing		
16	944970	X	· Adjusting washer		
17	11072	1	· Roller bearing		
18	944522	X	· Shim		TH = 0,05 MM
	42981	X	· Shim		TH = 0,10 MM
	968057	X	· Shim		TH = 0,20 MM
	42980	X	· Shim		TH = 0,35 MM
19	897387	1	· Spacer ring		
20	11044	1	· Bearing		
21	184654	1	· Needle bearing		
22	814482	1	· Oil pump screen		
23	852904	1	· Magnetic plug		
24	955974	1	· O-ring	IK	
25	872533	1	· Driveshaft		
26	184765	1	· Roller bearing		
27	852380	1	· Gear set		RATIO 2,30:1
28	967352	X	· Adjusting washer		TH = 0,05 MM
	941823	X	· Adjusting washer		TH = 0,10 MM
	967351	X	· Adjusting washer		TH = 0,15 MM
	941824	X	· Adjusting washer		TH = 0,20 MM
	941825	X	· Adjusting washer		TH = 0,40 MM
29	184691	1	· Bearing		
30	191834	X	· Shim		TH = 0,10 MM
	191835	X	· Shim		TH = 0,15 MM
	191837	X	· Shim		TH = 0,25 MM
31	925258	2	· O-ring	IK	
32	941812	2	· Screw		
33	875821	1	· Zinc ring kit		
34	966808	2	· · Screw		
35	183859	1	· Needle bearing		
36	184683	1	· Cone		
37	851407	2	· Sealing ring	IK	
38	872871	1	· Line cutter		FRONT
39	183272	1	· Needle bearing		
40	853871	1	· Sealing ring kit	IK	
42	873049	1	· Propeller nut		
43	872872	1	· Line cutter		REAR
44	872549	1	· Propeller cone kit		
45		1	· · PROPELLER CONE		

DRIVE DP-D

REF	PART NO.	QTY	DESCRIPTION	SEE SEC.	NOTES
46	943194	1	· · Washer		
47	872546	1	· · Lock screw		M12
48	853676	1	· · Spacer ring		
49	854294	1	· · Plastic washer		
51	854667	1	· Mounting kit		
52	854294	1	· · Plastic washer		
54	873058	1	· Tool kit		FOR 872549
55	925256	1	O-ring	IK	INCLUDED IN COMPLETE DUOPROP DRIVE UNIT.
56	941810	4	Screw		INCLUDED IN COMPLETE DUOPROP DRIVE UNIT.
57	853095	4	Washer		INCLUDED IN COMPLETE DUOPROP DRIVE UNIT.
58	876138	1	Magnesium kit		TO BE USED IN FRESH-WATER.
59	966808	2	· Screw		