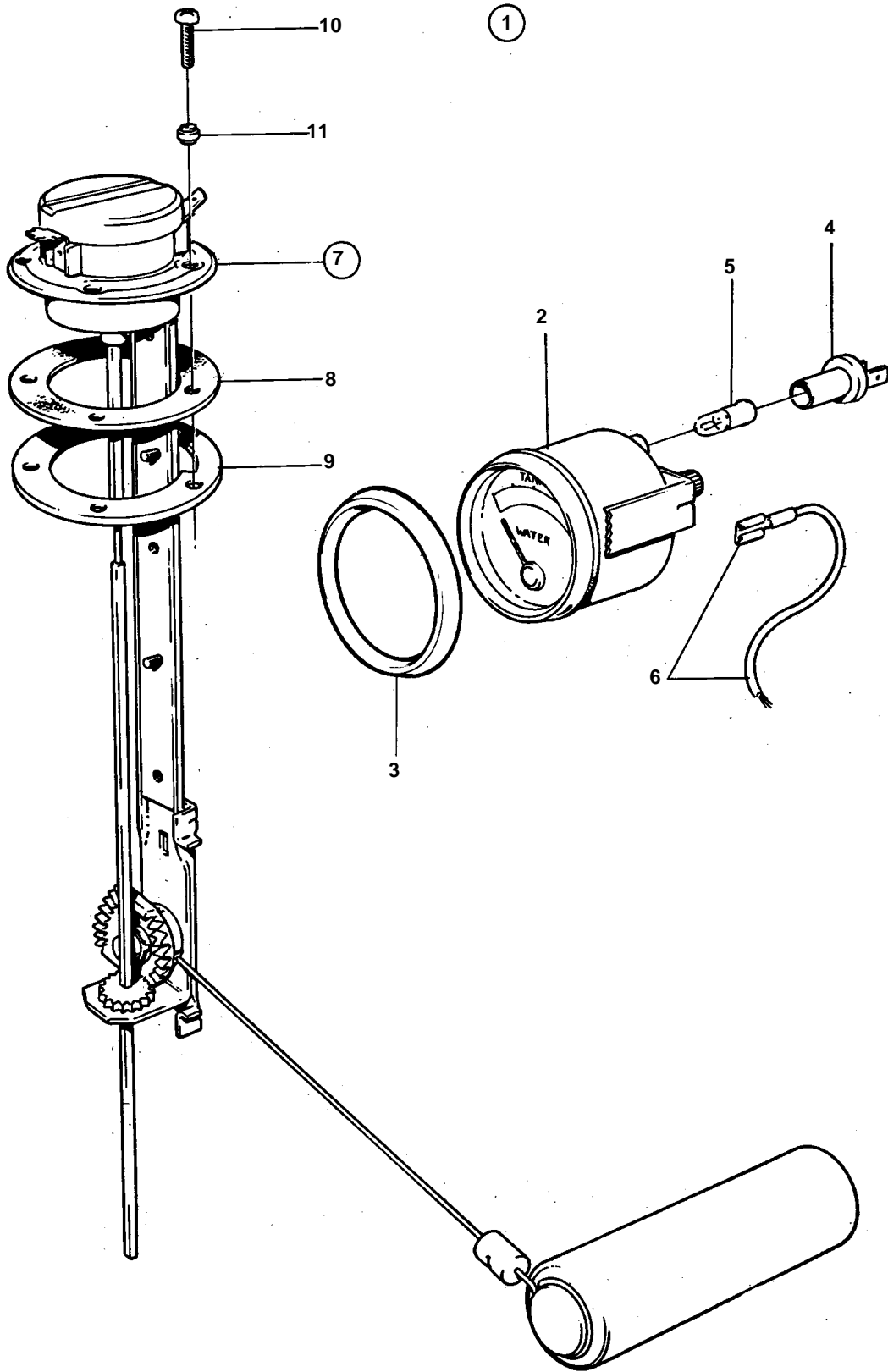


COMMON



COMMON

| REF | PART NO. | QTY | DESCRIPTION | NOTES |
|-----|----------|-----|------------------------|-------------|
| 1 | 828715 | 1 | | 24V |
| 2 | 828633 | 1 | · Tank gauge | * |
| 3 | 828542 | 1 | · Front ring | * |
| 4 | 808175 | 1 | · Bulb socket | |
| 5 | 182059 | 1 | · Bulb | |
| 6 | | X | · CABLES AND TERMINALS | SEE GROUP 3 |
| 7 | 837999 | 1 | · Tank sensor | |
| 8 | 89865 | 1 | · · Gasket | |
| 9 | 834480 | 1 | · · Flange | |
| 10 | 956078 | 4 | · · Screw | L = 16 MM |
| | 956081 | 1 | · · Screw | L = 25 MM |
| 11 | 834481 | 5 | · · Gasket | |