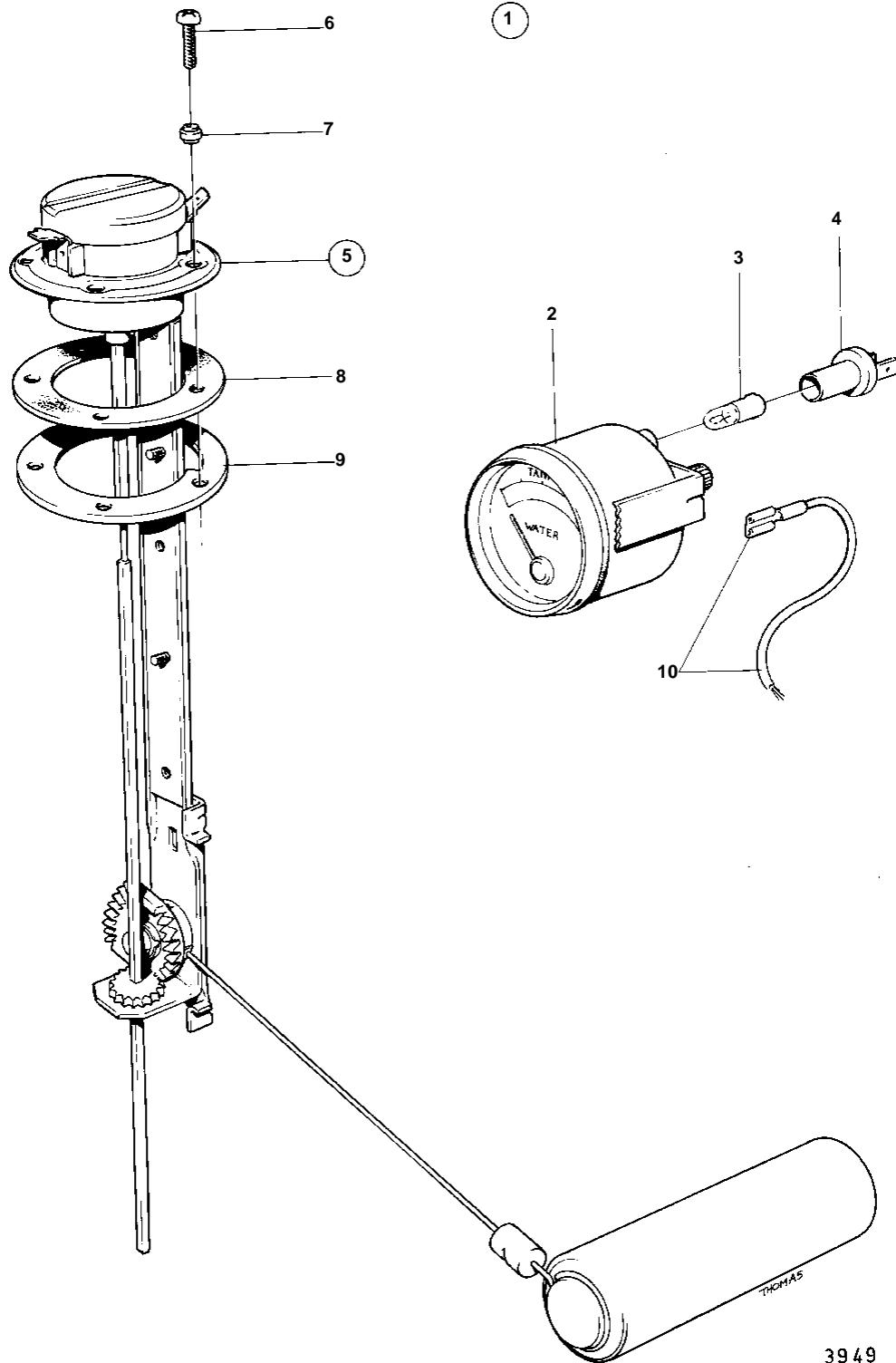


COMMON



COMMON

REF	PART NO.	QTY	DESCRIPTION	NOTES
1	834400	1	Tank gauge	FOR DRINKING WATER.
2	834380	1	· Tank gauge	
3	19923	1	· Bulb	
4	808175	1	· Bulb socket	
5	834389	1	· Sender	
6	956078	4	· · Screw	L = 16 MM
	956081	1	· · Screw	L = 25 MM
7	834481	5	· · Gasket	
8	89865	1	· · Gasket	
9	834480	1	· · Flange	
10		X	CABLES AND TERMINALS	SEE GROUP 3