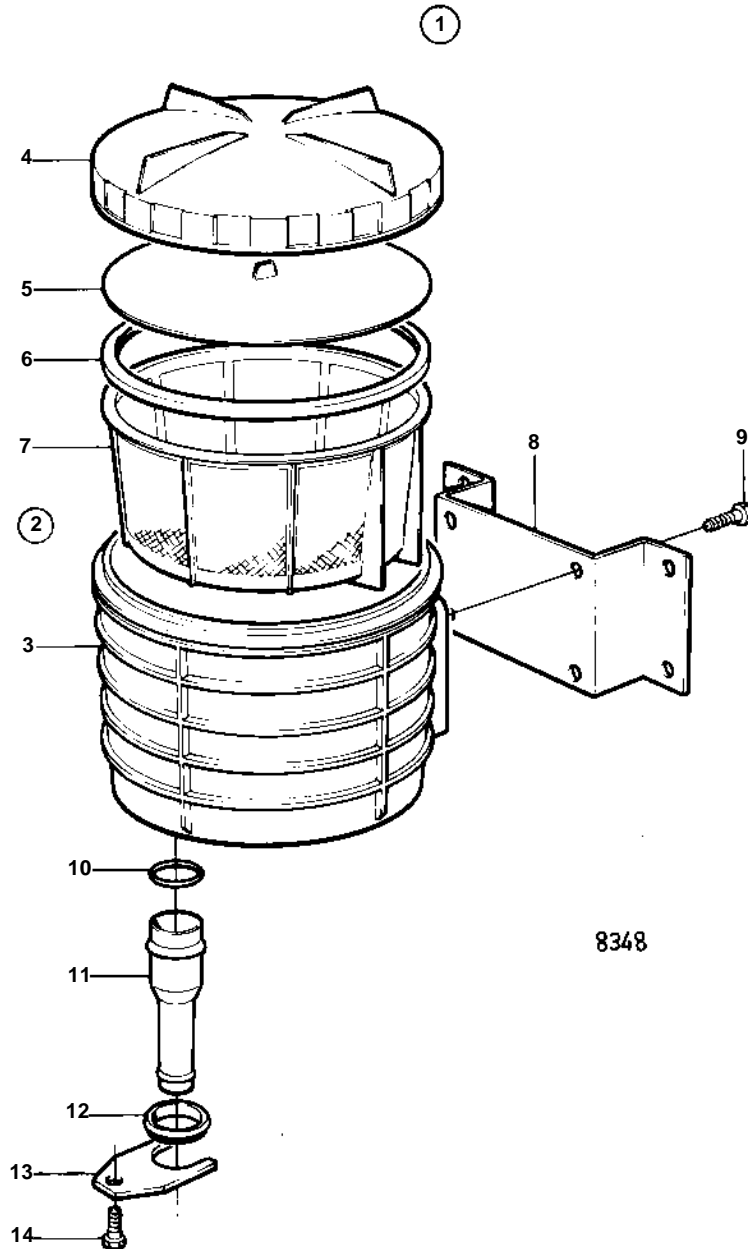


MD30A,TMD30A,TAMD30A



MD30A,TMD30A,TAMD30A

REF	PART NO.	QTY	DESCRIPTION	NOTES
1	838315	1	Seawater sieve kit	
2	845337	1	· Strainer	
3	845338	1	· · Strainer housing	
4	845317	1	· · Cover	
5	845328	1	· · Pressure plate	
6	838977	1	· · Rubber seal	
7	858081	1	· · Strainer	
8	845960	1	· Bracket	
9	940199	4	· Screw	
10	845354	2	· Sealing ring	
11	847106	1	· Hose connection	L = 80 MM
	838582	1	· Hose connection	L = 125 MM
12	847017	2	· Retainer	
13	847018	2	· Brace	
14	940199	2	· Screw	