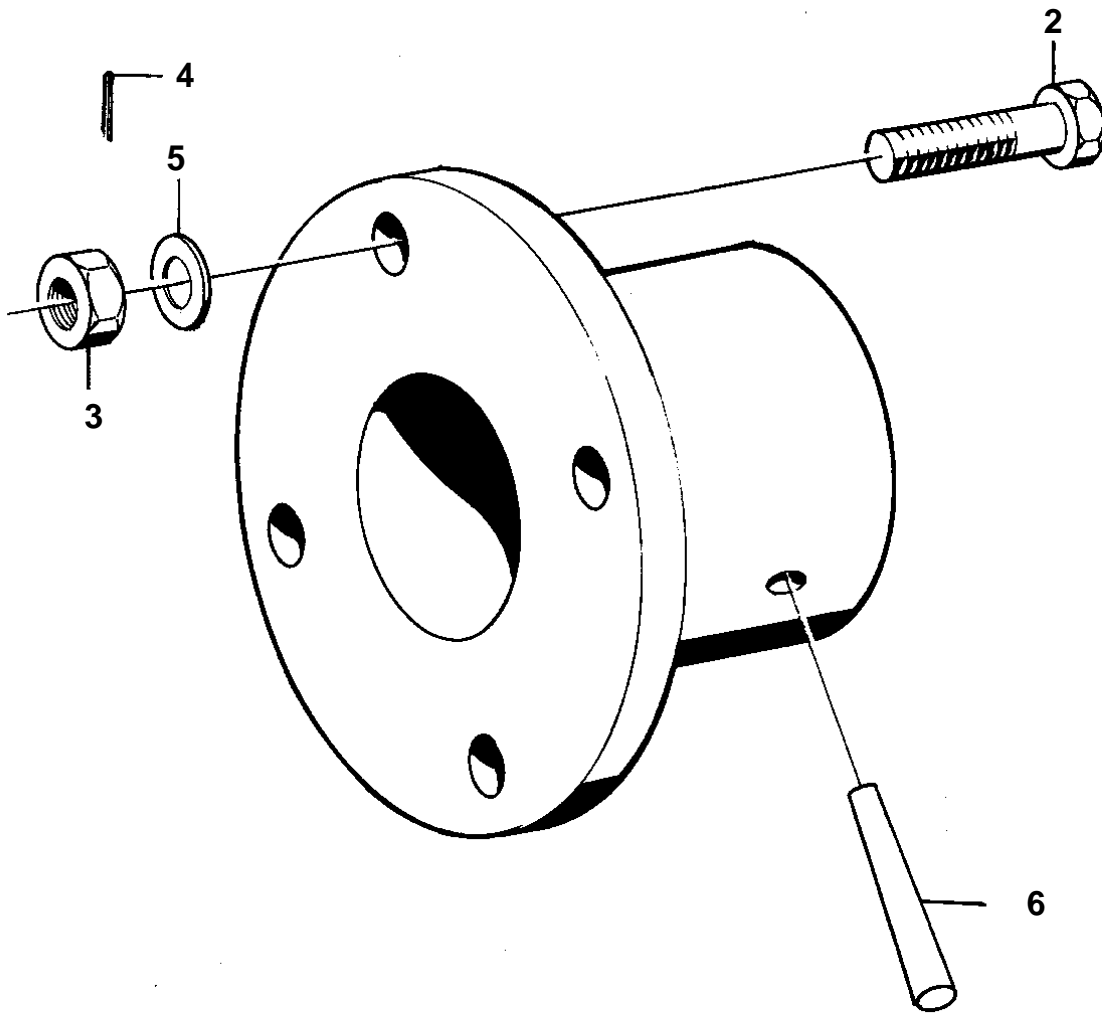


COMMON

1



4624

COMMON

REF	PART NO.	QTY	DESCRIPTION	NOTES
1	829279	1	Companion flange	FOR REDUCTION REVERSE GEAR RATIO 1,91:1.
2	955692	4	· Screw	L = 32 MM
	955691	4	· Screw	L = 25 MM
3	955883	4	· Nut	
4	907834	4	· Cotter pin	
5	941909	4	· Spring washer	
6	907617	1	· Pin	