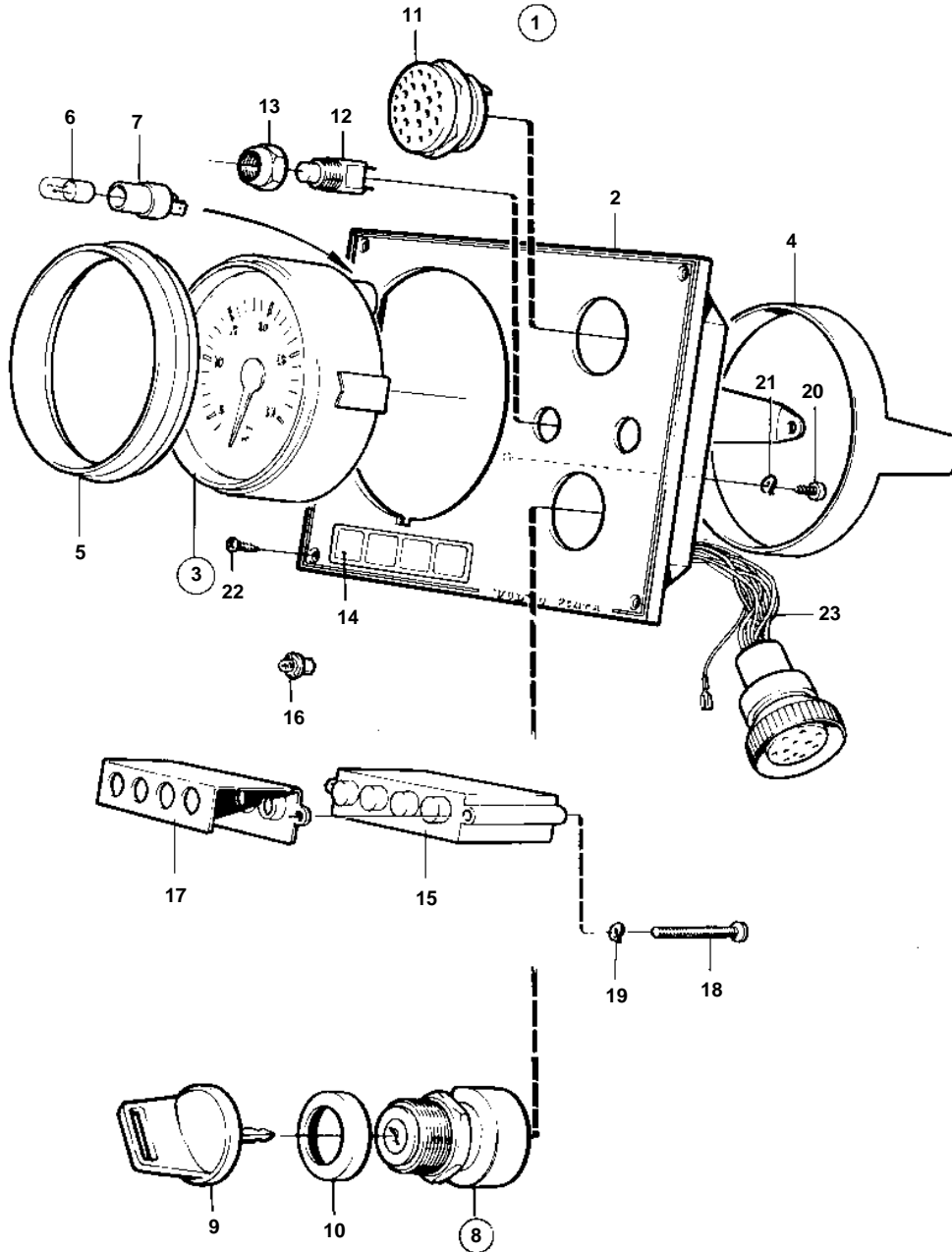


COMMON



7492

COMMON

REF	PART NO.	QTY	DESCRIPTION	NOTES
1	838927	1	Instrument panel	12V
2	828583	1	· Instrument panel	
3	828601	1	· Tachometer	REPL BY 858558
	858558	1	· Rev counter kit	
4	828558	1	· · Attaching ring	
5	828559	1	· Front ring	
6	19923	1	· Bulb	
7	808175	1	· Bulb socket	
8	828778	1	· Starter switch	
9	828676	2	· · Key	
10	1581184	1	· Round nut	
11	828587	1	· Buzzer	
12	828584	1	· Switch	ALARM
	828585	1	· Switch	LIGHTING
13	828586	2	· Button	
14	828560	1	· Sign	
15	828783	1	· Electronic unit	
16	19923	4	· Bulb	
17	828784	1	· Reflector	
18	941615	2	· Screw	
19	941904	2	· Spring washer	
20	949947	1	· Screw	
21	941904	1	· Spring washer	
22	828647	4	· Screw	
23		X	· CABLES AND TERMINALS	SEE GROUP 3