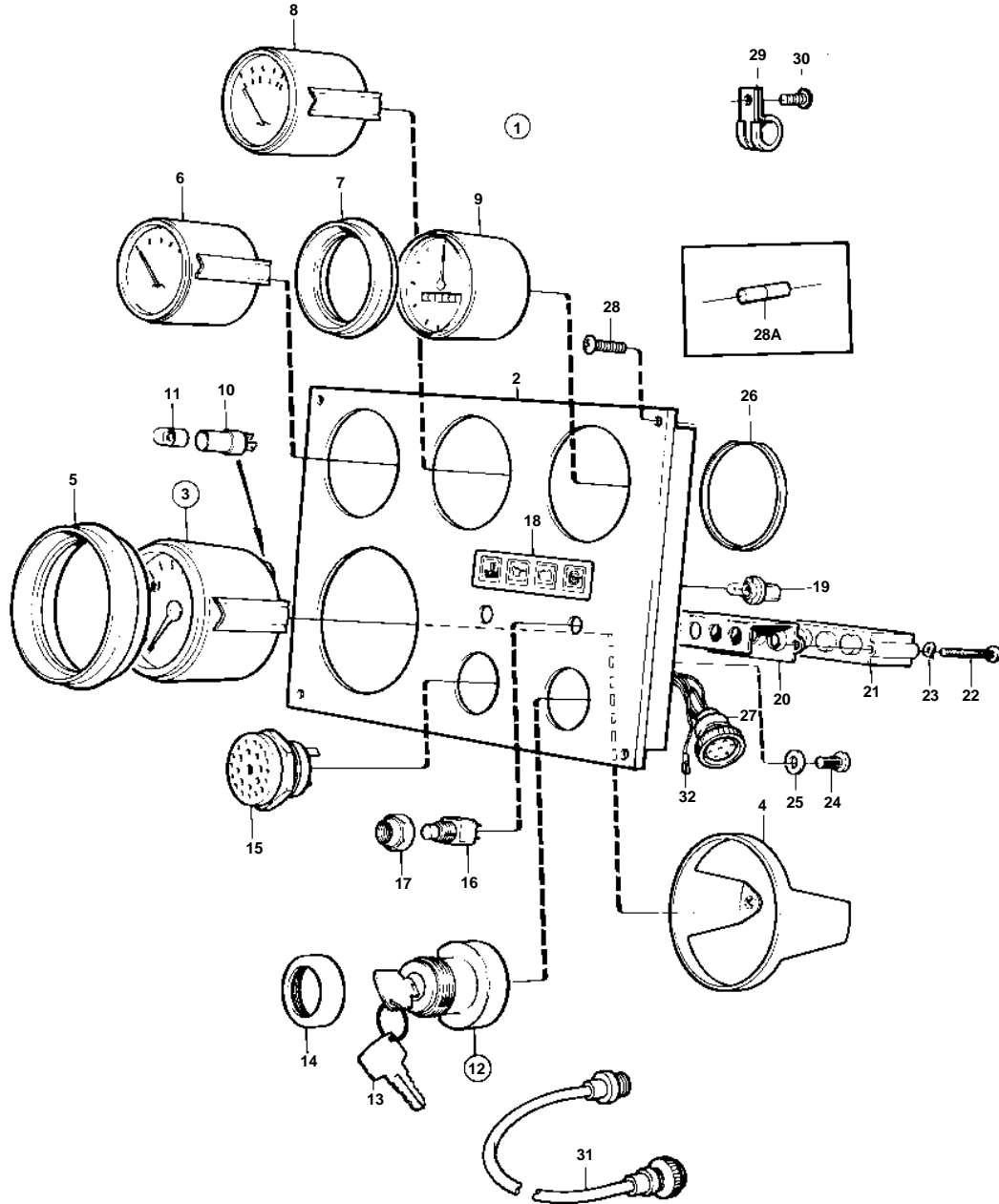


COMMON



7699

COMMON

REF	PART NO.	QTY	DESCRIPTION	NOTES
1	858036	1	Instrument panel	24V
2	828588	1	• Instrument panel	
3	838941	1	• Tachometer	
4	828558	1	• • Attaching ring	
5	828559	1	• Front ring	
6	828613	1	• Thermometer	
7	828542	3	• Front ring	
8	828619	1	• Oil pressure gauge	
9	828630	1	• Voltmeter	
10	808175	4	• Bulb socket	
11	182059	4	• Bulb	
12	828778	1	• Starter switch	
13	828676	2	• • Key	
14	1581184	1	• Round nut	
15	828587	1	• Buzzer	
16	828584	1	• Switch	TEST ALARM
	828585	1	• Switch	
17	828586	2	• Button	
18	828560	1	• Sign	
19	828818	4	• Bulb	
20	828784	1	• Reflector	
21	828783	1	• Electronic unit	
22	941615	2	• Screw	
23	941904	2	• Spring washer	
24	949947	1	• Screw	
25	941904	1	• Spring washer	
26	828803	3	• Ring	
27	858035	1	• Cable kit	
28	828647	4	• Screw	
28A	1518870	3	• Diode	
29	952629	X	Clamp	
30	949947	X	Screw	
31	846648	X	Extension cable	L = 3000 MM
	846649	X	Extension cable	L = 5000 MM
	846650	X	Extension cable	L = 7000 MM
32		X	CABLES AND TERMINALS	SEE GROUP 3