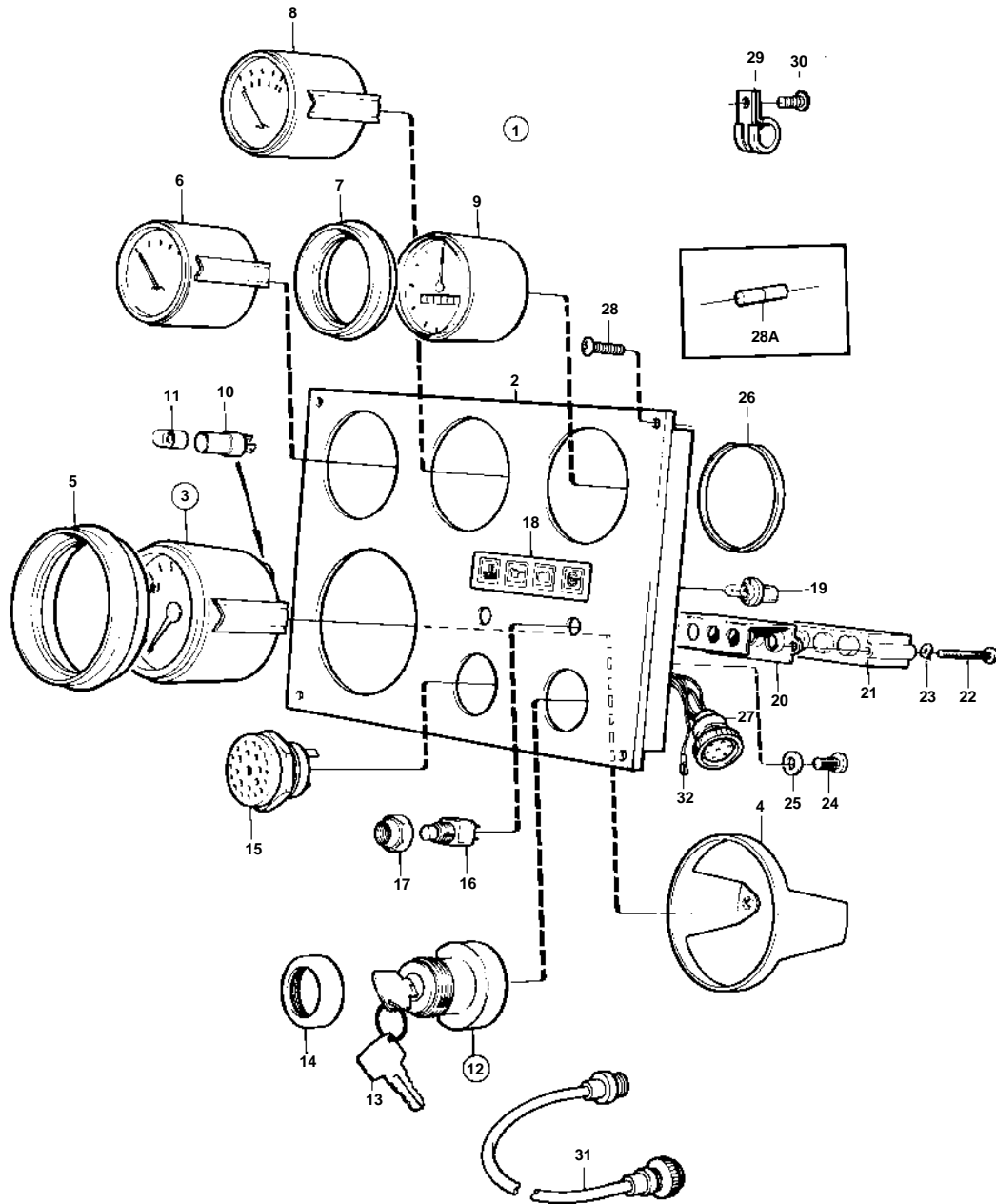


COMMON



7699

COMMON

REF	PART NO.	QTY	DESCRIPTION	NOTES
1	838926	1	Instrument panel	12V
2	828588	1	· Instrument panel	
3	828601	1	· Tachometer	REPL BY 858558
	858558	1	· Rev counter kit	
4	828558	1	· · Attaching ring	
5	828559	1	· Front ring	
6	828612	1	· Thermometer	
7	828542	3	· Front ring	
8	828618	1	· Instrument	
9	828628	1	· Voltmeter	
10	808175	4	· Bulb socket	
11	19923	4	· Bulb	
12	828778	1	· Starter switch	
13	828676	2	· · Key	
14	1581184	1	· Round nut	
15	828587	1	· Buzzer	
16	828584	1	· Switch	TEST ALARM
	828585	1	· Switch	
17	828586	2	· Button	
18	828560	1	· Sign	
19	19923	4	· Bulb	
20	828784	1	· Reflector	
21	828783	1	· Electronic unit	
22	941615	2	· Screw	
23	941904	2	· Spring washer	
24	949947	1	· Screw	
25	941904	1	· Spring washer	
26	828803	3	· Ring	
27	828646	1	· Cable trunk	
28	828647	4	· Screw	
29	952629	X	Clamp	
30	949947	X	Screw	
31	846648	X	Extension cable	L = 3000 MM
	846649	X	Extension cable	L = 5000 MM
	846650	X	Extension cable	L = 7000 MM
32		X	CABLES AND TERMINALS	SEE GROUP 3