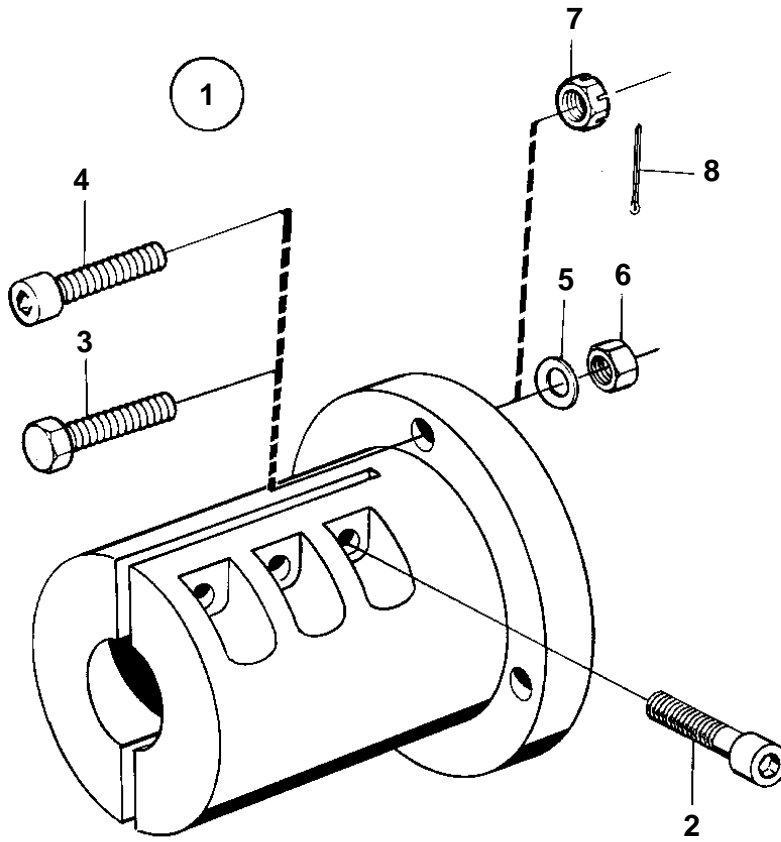


COMMON



3730

COMMON

REF	PART NO.	QTY	DESCRIPTION	NOTES
1	827930	1	Clamp coupling	35MM HOLE FOR PROPELLER SHAFT.. FOR REVERSE GEAR PRM.
2	949068	6	Screw	
3	955676	4	Screw	
7	955882	4	Nut	
8	907833	4	Cotter pin	