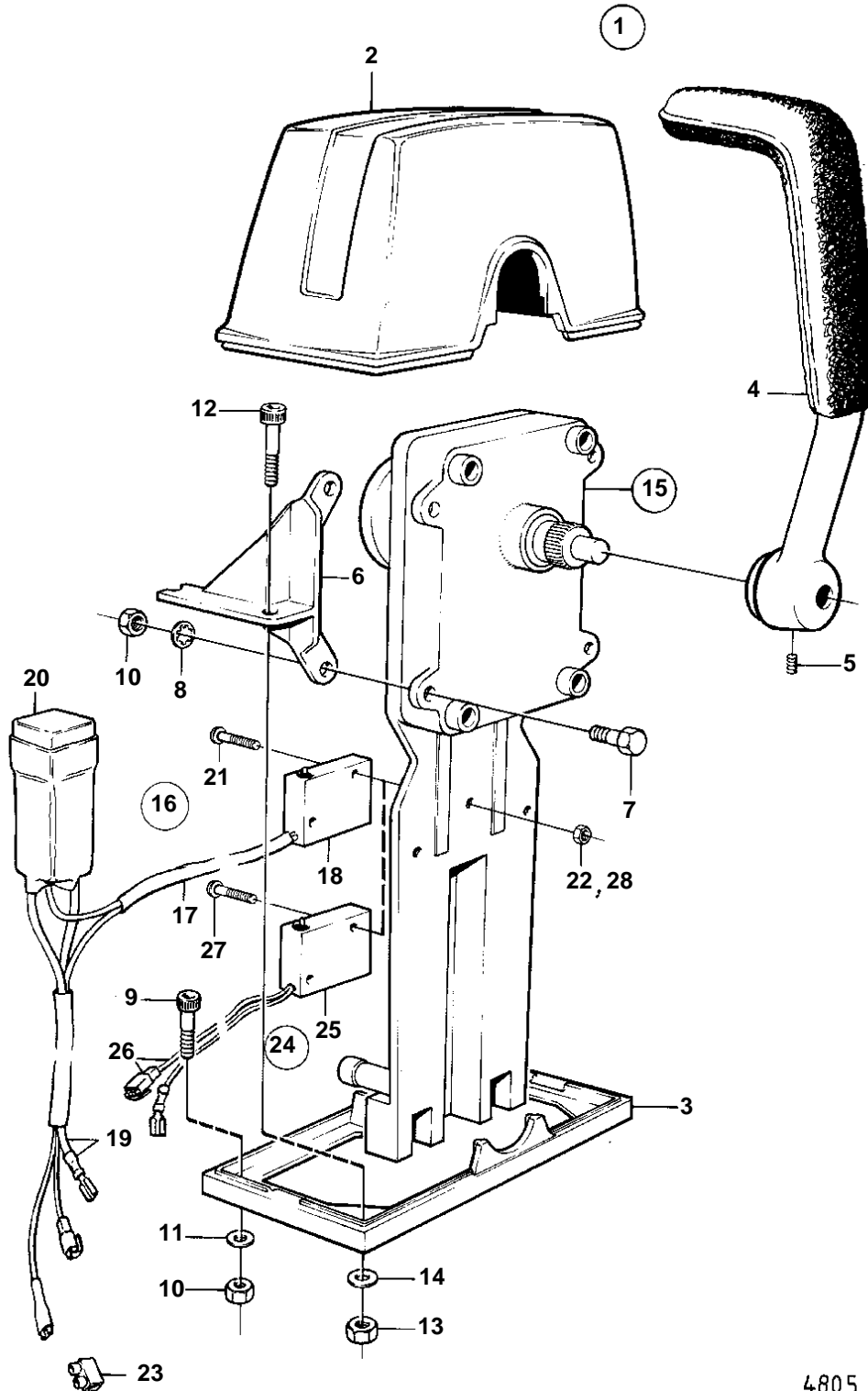


COMMON



4805

COMMON

REF	PART NO.	QTY	DESCRIPTION	SEE SEC.	NOTES
1	839470	1	Mounting kit		
2	839472	1	· Cover	IK	
3	839474	1	· Plate	IK	
4	839475	1	· Lever	IK	
5	946786	1	· Lock screw	IK	M5
	839693	1	· Lock screw	IK	M8
6	839480	1	· Bracket	IK	MARKED 839480
	839481	1	· Bracket	IK	MARKED 839481
7	955244	4	· Screw	IK	
8	955946	4	· Lock washer	IK	
9	947671	2	· Allen head screw	IK	
10	955780	6	· Nut	IK	
11	960138	2	· Washer	IK	
12	947672	2	· Allen head screw	IK	
13	955781	2	· Nut	IK	
14	960139	2	· Washer	IK	
15	839469	1	Control		TOP-MOUNTED REPLACED BY 851600.. SIDE-MOUNTED REPLACED BY 851601.
				090-0700	
16	839641	1	Neutral posit contac		MAIN STATION.
17	839619	1	· Cable kit		
18	850200	1	· · Switch		
19		X	· · CABLES AND TERMINALS		SEE GROUP 3
20	876037	1	· Relay kit		(839367)
21	946177	2	· Screw		
22	947536	2	· Nut		
23	182009	1	· Coupling piece		
24	828414	1	Neutral posit contac		MAIN STATION.
	828378	1	Switch		SECOND STATION.
25	850200	1	· Switch		
26		X	· · CABLES AND TERMINALS		SEE GROUP 3
27	946177	2	· Screw		
28	947536	2	· Nut		