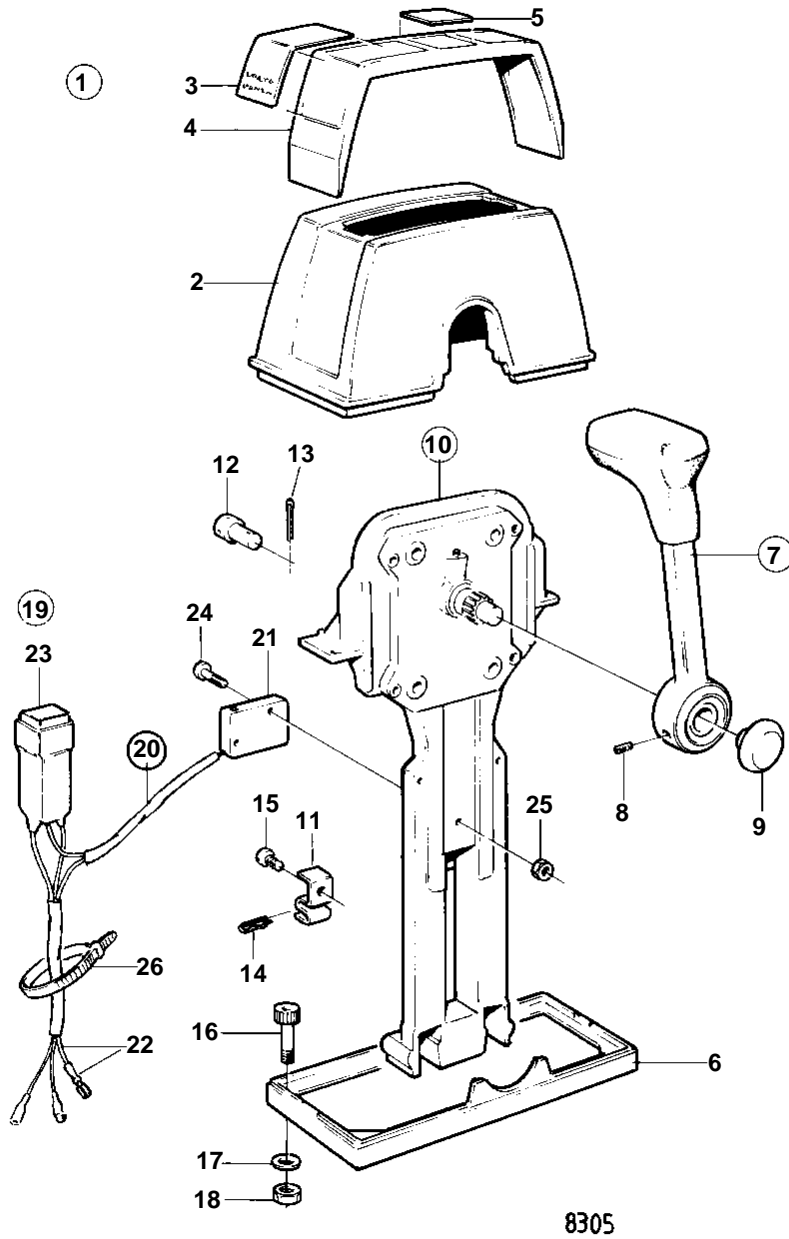


COMMON



COMMON

REF	PART NO.	QTY	DESCRIPTION	NOTES
1	853168	1	Mounting kit	SINGLE
2	851886	1	· Cover	
3	851896	1	· · Decal	
4	851892	1	· · Cover plate	
5	851898	1	· · Decal	
6	839474	1	· · Plate	
7	852347	1	· Lever	
8	963678	1	· · Screw	
9	853004	1	· Push button	
10	851600	1	Control	
11	853423	1	· Retainer	
12	839638	2	· Cube	
13	17253	2	· Cotter pin	
14	852924	1	· Clip	
15	839664	2	Screw	
16	947671	4	Allen head screw	
17	960138	4	Washer	
18	955780	4	Nut	
19	839641	1	Neutral posit contac	
20	839619	1	· Cable kit	
21	850200	1	· · Switch	
22		X	· · CABLES AND TERMINALS	SEE GROUP 3
23	1501832	1	· Relay	
24	946177	2	· Screw	
25	947536	2	· Nut	
26	948210	X	· Strip clamp	