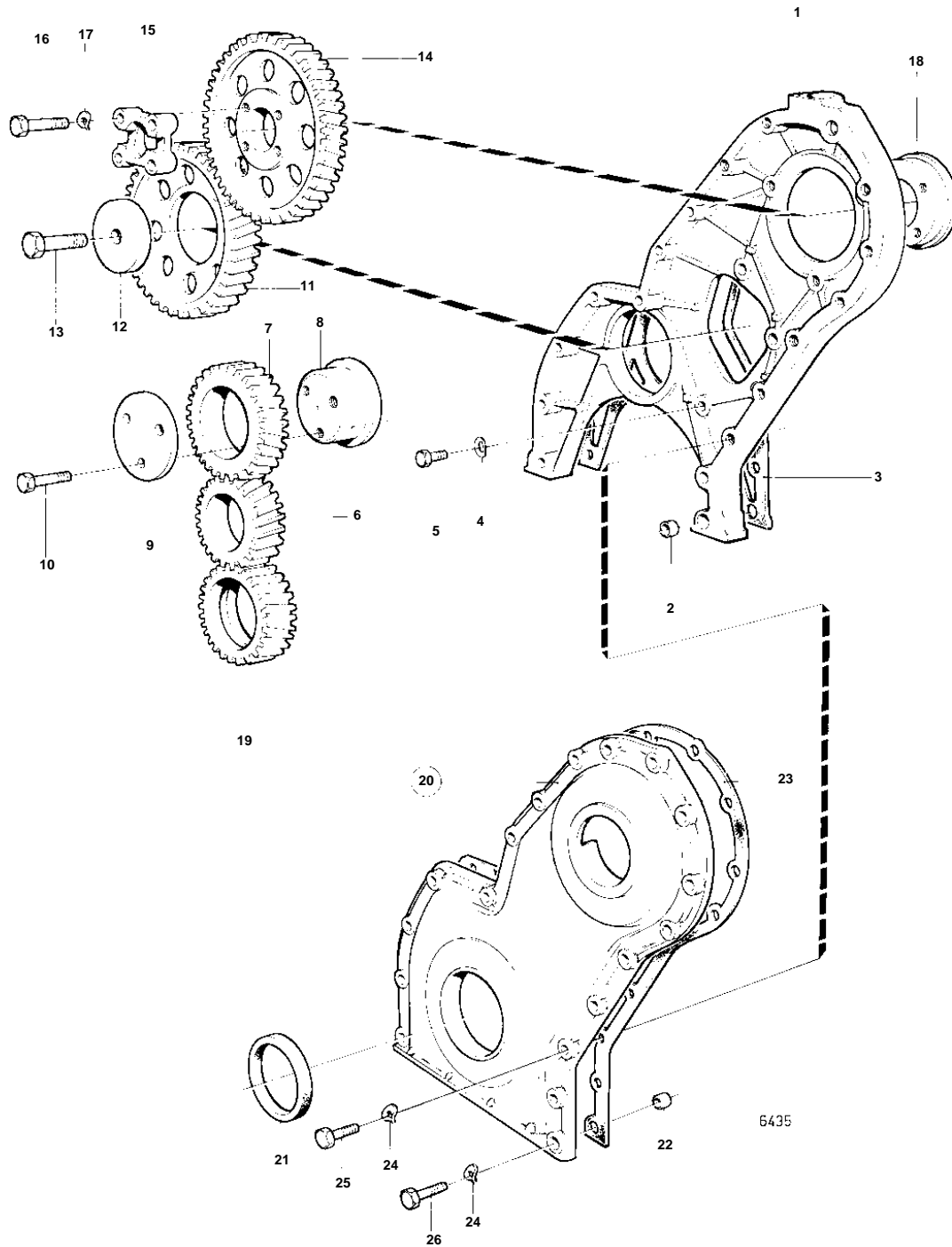


MD30A,TMD30A,AQAD30A,TAMD30A



MD30A,TMD30A,AQAD30A,TAMD30A

| REF | PART NO. | QTY | DESCRIPTION        | SEE SEC. | NOTES                   |
|-----|----------|-----|--------------------|----------|-------------------------|
| 1   | 842988   | 1   | Timing gear casing |          |                         |
| 2   | 415311   | 1   | Sleeve             |          |                         |
| 3   | 1542219  | 1   | Gasket             | IK       |                         |
| 4   | 941907   | 4   | Spring washer      |          |                         |
| 5   | 955295   | 3   | Screw              |          | L = 20 MM               |
|     | 940142   | 1   | Screw              |          | L = 30 MM               |
| 6   | 1542305  | 1   | Gear               | 02A-0150 |                         |
| 7   | 1542061  | 1   | Gear               |          |                         |
| 8   | 838997   | 1   | Pin                |          | (1542064)               |
| 9   | 1542065  | 1   | Thrust washer      |          |                         |
| 10  | 965180   | 3   | Flange screw       |          |                         |
| 11  | 1542034  | 1   | Gear               | 02A-0200 |                         |
| 12  | 1542223  | 1   | Washer             | 02A-0200 |                         |
| 13  | 955344   | 1   | Screw              | 02A-0200 |                         |
| 14  | 1544149  | 1   | Gear               |          |                         |
| 15  | 829523   | 1   | Companion flange   |          |                         |
| 16  | 955299   | 4   | Screw              |          |                         |
| 17  | 941907   | 4   | Spring washer      |          |                         |
| 18  | 1542171  | 1   | Hub                |          | SEE GROUP 2C            |
| 19  | 1542215  | 1   | Gear               | 02A-0400 |                         |
| 20  | 843086   | 1   | Cover              |          |                         |
| 21  | 1542318  | 1   | · Sealing ring     | IK       |                         |
| 22  | 415311   | 2   | · Sleeve           |          |                         |
| 23  | 859038   | 1   | Gasket             | IK       | (842990)                |
| 24  | 941907   | 13  | Spring washer      |          |                         |
| 25  | 940132   | 7   | Screw              |          | L = 35 MM               |
|     | 955301   | 2   | Screw              |          | L = 55 MM, SEE GROUP 2C |
| 26  | 955304   | 6   | Screw              |          | L = 70 MM               |
|     | 955307   | 3   | Screw              |          | L = 100 MM, SEE GROUP 3 |
|     | 955306   | 1   | Screw              |          | L = 80 MM, SEE GROUP 3  |