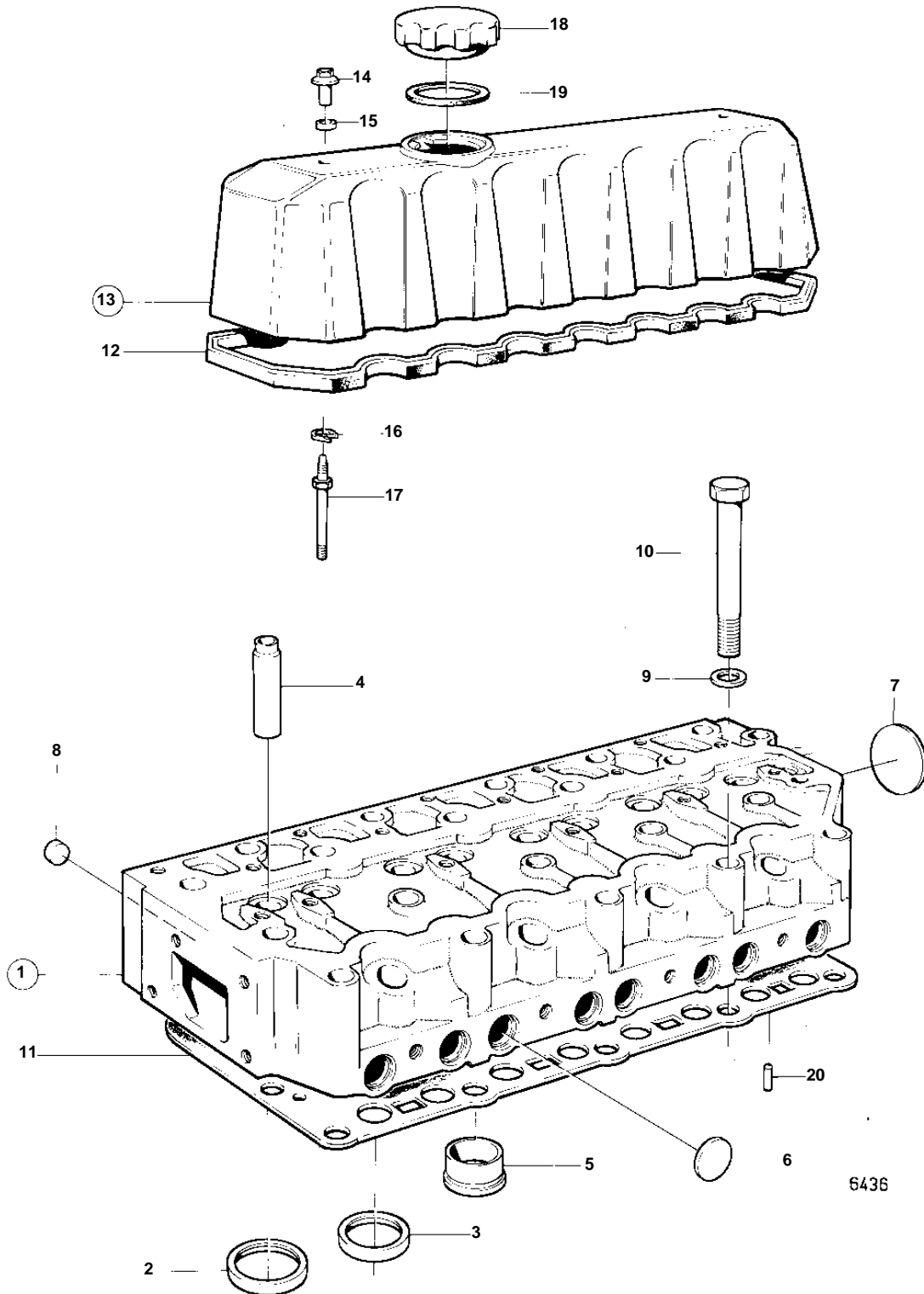


MD30A,TMD30A,AQAD30A,TAMD30A



6436

MD30A,TMD30A,AQAD30A,TAMD30A

| REF | PART NO. | QTY | DESCRIPTION | SEE SEC. | NOTES |
|-----|----------|-----|-----------------------|----------|-------------------|
| 1 | 1544110 | 1 | Cylinder head | | |
| | 3803023 | 1 | Cylinder head, exch | | Exchange unit |
| 2 | 1545174 | 4 | · Valve seat, INTAKE | | |
| | 1545175 | | · Valve seat, INTAKE | | OVER SIZE 0,20 MM |
| 3 | 1545177 | 4 | · Valve seat, EXHAUST | | |
| | 1545178 | | · Valve seat, EXHAUST | | OVER SIZE 0,20 MM |
| 4 | 419653 | 8 | · Valve guide | 02A-0200 | |
| 5 | | 4 | · EMULSION BLOCK | | |
| 6 | 192426 | 12 | · Plug | | |
| 7 | 1542264 | 1 | · Expansion plug | | |
| 8 | 967853 | 4 | · Cap plug | | (955081) |
| 9 | 1542316 | 19 | Washer | | MO-7774 |
| 10 | 838775 | 19 | Screw | | (1542144) |
| | | | | | MO-7774 |
| | 838775 | 19 | Screw | | MO7775- |
| 11 | 1544109 | 1 | Gasket | IK | |
| 12 | 1544119 | 1 | Gasket | IK | |
| 13 | 1544117 | 1 | Valve cover | | |
| 14 | 1542286 | 2 | · Cap nut | | |
| 15 | 469846 | 2 | · Sealing ring | IK | (424342) |
| 16 | 914449 | 2 | · Lock ring | | |
| 17 | 1542283 | 2 | Stud | 02A-0200 | |
| 18 | 420292 | 1 | Oil filler cap | | |
| 19 | 940096 | 1 | Gasket | IK | |
| 20 | 946402 | 2 | Pin | 02A-0100 | |